

07-30-01

A

THE COMMISSIONER OF PATENTS AND TRADEMARKS  
Washington, DC 20231

Attorney Docket: 2200P  
PATENT

Inventor(s):  
133 U.S. PTO



07/27/01

Jenkin A. Richard, Eric V. Chamness, David F. Moore, Ryan D. Bruneau, George H. Guan,  
Steven J. Benerofe, Nader Mahvan, and Don Andre Clark

OPTICAL ALIGNMENT ELEMENT METHOD

JCE79 U.S. PTO  
09/916624  
07/27/01

Enclosed with the Patent Application are:

- (22) sheets of Drawings
- Declaration and Power of Attorney
- Assignment and Recordation Form
- Information Disclosure Statement, PTO Form-1449 w/(6) Cited References
- Self Addressed, Stamped Postcard

The filing fee has been calculated as shown below:

POSTAGE WILL BE PAID BY ADDRESSEE

	(Col. 1)	(Col. 2)	LARGE ENTITY	
FOR:	NO. FILED	NO. EXTRA	RATE	FEE
BASIC FEE				\$355.00
TOTAL CLAIMS	87	- 20 = 67	x 9 =	\$603.00
INDEP. CLAIMS	4	- 3 = 1	x 40 =	\$40.00
<input type="checkbox"/> MULTIPLE DEPENDENT CLAIM PRESENTED				\$0.00
*If the difference in Col. 1 is less than "0", enter "0" in Col. 2			<b>TOTAL</b>	<b>\$ 998.00</b>

Check No. 3063 in the amount of \$998.00 is enclosed for payment of filing fees. The Commissioner is hereby authorized to charge any additional fees required or credit any overpayment to Deposit Account No. 02-2120.

CUSTOMER NO.: 000029141  
SAWYER LAW GROUP LLP  
P.O. Box 51418  
Palo Alto, California 94303  
(650) 493-4540

Respectfully submitted,

Joseph A. Sawyer, Jr.  
Attorney for Applicants  
Reg. No.: 38,329

EXPRESS MAIL CERTIFICATE

I hereby certify that the above paper/fee is being deposited with the U.S. Postal Service "Express Mail Post Office to Addressee" service under 37 CFR 1.10 on , July 27, 2001, and is addressed to the Commissioner of Patents and Trademarks, Washington, D.C. 20231. "Express Mail" no.: EL744462102US. Signature of Person mailing paper/fee:

Joseph A. Sawyer, Jr.

# OPTICAL ALIGNMENT ELEMENT METHOD

## FIELD OF THE INVENTION

The present invention relates to the manufacturing of optical devices, and more particularly to the alignment of optical elements in the optical devices.

## 5 BACKGROUND OF THE INVENTION

Precision alignment of an optical beam through optical elements in an optical device is necessary to ensure proper functioning of the device. Typical devices contain multiple optical elements, each having an associated alignment error in its placement that must be corrected.

With conventional manufacturing methods, each optical element in the device is typically individually aligned in multiple dimensions as well as the source or target of the optical beam.

However, manipulating multiple elements requires time and adds complexity to the alignment process, and it can be expensive, and is often difficult due to access restrictions. In addition, aligning the source or the target is difficult since they are typically electrically powered and may have unique mounting or monitoring requirements. Also, the source or target is generally the

largest element and requiring it to move for the purpose of alignment may increase the form factor of the entire device. In addition, higher capacity devices require more optical channels, requiring more precisely aligned element and/or increased power efficiency through the system.

This problem will become more acute as the industry continues to require higher speeds and higher data capacity capabilities. A problem also exists for systems which require the alignment

of arrays of optical devices. Typically, the arrays are aligned by hand, which is difficult and cumbersome.

Accordingly, there exists a need for an improved method of aligning optical elements in an optical device. The improved method should simplify the alignment of multiple optical elements without sacrificing precision. This simplicity should be maintained even when the number of optical elements in the device increases. The present invention addresses such a need.

5

## **SUMMARY OF THE INVENTION**

An improved method for aligning a plurality of optical elements in an optical device, includes: placing at least one optical element in a beam path; fixing the optical element in place without substantially compensating for errors in optical alignment; placing at least one optical alignment element (OAE) in the beam path; and aligning the beam path to a desired beam path by adjusting the OAE. The alignment of the beam path substantially compensates for cumulative alignment errors in the beam path. The method increases the ease in the manufacturing of optical devices and lowers the cost of manufacturing. Because only the OAE needs to be accessed and moved for alignment, the size of the device can be smaller. Also, the tolerances of the placement of optical elements are increased, and the optical element does not need special features for alignment.

## **BRIEF DESCRIPTION OF THE FIGURES**

Figure 1 is a flowchart illustrating an embodiment of a method for aligning optical elements in accordance with the present invention.

Figure 2 illustrates a first embodiment of an optical device manufactured utilizing the method for aligning optical elements in accordance with the present invention.

Figure 3 illustrates a second embodiment of an optical device manufactured utilizing the method for aligning optical elements in accordance with the present invention.

Figure 4 illustrates a conventional method for aligning optical elements utilizing a mirror as an alignment element.

5 Figure 5 illustrates a top, side, and cross-sectional orthogonal views of the prism as the OAE in the method for aligning optical elements in accordance with the present invention.

Figure 6 illustrates an isometric view of the prism as the OAE in the method for aligning optical elements in accordance with the present invention.

Figure 7 illustrates the positioning of the beam with a prism movement in the x-direction.

10 Figure 8 illustrates the positioning of the beam with a prism movement in the  $\theta_x$  direction.

Figure 9 illustrates the positioning of the beam with a prism movement in the z-direction.

15 Figure 10 illustrates the positioning of the beam with a prism movement in the  $\theta_z$  direction.

Figure 11 illustrates the positioning of the beam with a prism movement in the y-direction and in the  $\theta_y$  direction.

Figure 12 illustrates the two-axis Hill Climb Alignment algorithm.

20 Figure 13 is a flowchart illustrating an embodiment of the multi-axes Hill Climb Alignment algorithm utilized in the method for aligning optical elements in accordance with the present invention.

Figure 14 illustrates an embodiment of a single-channel device manufactured using the method for aligning optical elements in accordance with the present invention.

Figure 15 illustrates a first embodiment of a multi-channel device manufactured using the method for aligning optical elements in accordance with the present invention.

Figure 16 illustrates a second embodiment of a multi-channel device manufactured using the method for aligning optical elements in accordance with the present invention.

5 Figure 17 illustrates an embodiment of a light source in accordance with the present invention.

Figure 18 illustrates an embodiment of a detector in accordance with the present invention.

10 Figure 19 illustrates an example multi-channel device with the light source or detector in accordance with the present invention.

Figure 20 illustrates an isometric view and a bottom view, of an embodiment of the chassis in accordance with the present invention.

Figure 21 illustrates an embodiment of method of positioning and fixing the optical alignment element to the chassis in accordance with the present invention.

15 Figure 22 illustrates an embodiment of a system for the method for aligning optical elements in accordance with the present invention.

## **DETAILED DESCRIPTION**

20 The present invention provides an improved method of aligning optical elements in an optical device. The following description is presented to enable one of ordinary skill in the art to make and use the invention and is provided in the context of a patent application and its requirements. Various modifications to the preferred embodiment will be readily apparent to

those skilled in the art and the generic principles herein may be applied to other embodiments. Thus, the present invention is not intended to be limited to the embodiment shown but is to be accorded the widest scope consistent with the principles and features described herein.

An embodiment of the method in accordance with the present invention aligns a beam path in an optical device by adjusting the placement and orientation of an optical alignment element (OAE) in a beam path. Even as the number of optical elements in the device increases, alignment of the beam path through the adjustment of the OAE substantially compensates for the cumulative alignment errors of the other optical elements in the beam path.

To more particularly describe the features of the present invention, please refer to Figures 1 through 22 in conjunction with the discussion below.

Figure 1 is a flowchart illustrating an embodiment of a method for aligning optical elements in accordance with the present invention. First, at least one optical element is placed in a beam path, via step 102. Next, the at least one optical element is fixed in place without substantially compensating for errors in optical alignment, via step 104. An optical alignment element (OAE) is also placed in the beam path, via step 106. The beam path is aligned to a desired beam path by adjusted the placement and orientation of an OAE, via step 108. The alignment substantially compensates for the cumulative alignment errors in the beam path. The order of placement of the at least one optical element and the OAE in the beam path is irrelevant to the aligning step 108. The OAE is then fixed in place, via step 110.

Figure 2 illustrates a first embodiment of an optical device manufactured utilizing the method for aligning optical elements in accordance with the present invention. The device 200 comprises at least one optical element 202, placed at a first location 206, and an OAE 204, where

15  
20  
25  
30  
35  
40  
45  
50  
55  
60  
65  
70  
75  
80  
85  
90  
95  
100  
105  
110  
115  
120  
125  
130  
135  
140  
145  
150  
155  
160  
165  
170  
175  
180  
185  
190  
195  
200

the at least one optical element 202 and the OAE 204 are in a beam path between the first location 206 and a second location 208. In this embodiment, the OAE 204 comprises two coupled, non-parallel and non-co-planar reflective surfaces 208a-208b. In other embodiments an OAE can also include but is not limited to two coupled, non-parallel and non-co-planar surfaces in which one or more of the surfaces can include a refractive or defractive element, or an OAE can be any other element or coupled optical system configured to allow a beam to be adjusted in four or more degrees of freedom. The at least one optical element 202 is placed in the beam path and fixed in place without substantially compensating for errors in optical alignment . The OAE 204 is placed in the beam path as well. A beam is then provided for the beam path. The beam can traverse either from the first location 206 to the second location 208, or vice versa. The position and orientation of the OAE 204 is adjusted to align the beam path to a desired beam path. When the beam path is considered to be “aligned” depends upon an application’s performance requirements, such as the specification of a larger device or system within which the device 200 is to be used. For example, the desired beam path can be the beam path when it is received at location 208 with a certain power level. The alignment substantially compensates for the cumulative alignment errors of the at least one optical element 202. When the alignment is considered to “substantially compensate” for cumulative alignment errors depends on an application’s performance requirement. In this manner, optical alignment of the device 200 is accomplished using OAE 204.

In one embodiment, the OAE 204 is added to the beam path solely for the purpose of aligning the beam path. In other embodiments the OAE design can be optimized for packaging stability, mechanical stability, beam displacement sensitivity, to achieve a desired light path in a

system, or for any other design requirement of the device or system in which it is used. In still other embodiments, additional active or passive optic elements, subsystems, systems or further optical surfaces or features can be coupled to or otherwise added or formed into or on to an OAE in order to achieve a desired effect on a beam passing through the OAE including but not limited to one or more flat or curved refracting, diffracting, or reflecting surfaces, such as one or more lens, mirror, wedge, diffraction grating, optical fiber, edge filter, reflective notch filter, band-pass filter, or any other type of filter.

Although the first embodiment is illustrated as comprising the at least one optical element 202 and the OAE 204, additional optical elements may be placed in the beam path without substantially compensating for errors in optical alignment. The alignment of the beam path would still substantially compensate for the cumulative alignment errors of the at least one optical element 202 and the additional optical elements. In other embodiments multiple OAE's 204 can also be placed in the beam path. These OAE's can be adjusted to iteratively align the beam path. Additional active or passive optical elements, subsystems or systems may be added to the beam path between iterations. Additional OAE's can be used, for example, when expanding or upgrading a system.

Example optical elements which can be placed at the first location 206 includes, but is not limited to, lenses, filters, mirrors, collimators, lasers, detectors, optical fibers, fiber collimators, gratings, or any other passive or active optical system or subsystem. Any of the optical elements can also be placed at location 208. In addition, optical systems can be placed at either locations 206 or 208, so that the beam path between an optical system and at location 208 is aligned to the desired beam path. For example, arrays of optical devices can be placed at



locations 206 or 208, and one or more OAE 204 configured serially or arrayed are adjusted to align the beam paths between the array at location 206 and the array at location 208 to desired beam paths.

Figure 3 illustrates a second embodiment of an optical device manufactured utilizing the method for aligning optical elements in accordance with the present invention. The device 300 is a multi-beam device, comprising at least two beam paths. A first OAE 308 and a first optical element 310 are placed in a first beam path between a first location 302 and a second location 304. A second OAE 312 and a second optical element 314 are placed in a second beam path between a third location 306 and the second location 304. As discussed above, each OAE 308 and 312 comprises two coupled, non-parallel and non-co-planar surfaces. The first optical element 310 is placed in the first beam path and fixed in place without substantially compensating for errors in optical alignment. The second optical element 314 is placed in the second beam path and fixed in place without substantially compensating for errors in optical alignment. In the embodiment of Fig. 3, optical element 314 is in the first beam path, however, in other embodiments this need not be the case. The first 308 and second 312 OAE are also placed in the first and second beam paths, respectively. The order in which the first 310 and second 314 optical elements and the first 308 and second OAE 312 are placed in their respective beam paths is irrelevant to the method in accordance with the present invention.

A first beam is then provided for the first beam path. The placement and orientation of the first OAE 308 is adjusted to align the first beam path to a first desired beam path. The alignment of the first beam path substantially compensates for the cumulative alignment errors in the first beam path. A second beam is provided for the second beam path. The placement and

orientation of the second OAE 312 is then adjusted to align the second beam path to a second desired beam path. The alignment of the second beam path substantially compensates for the cumulative alignment errors in the second beam path.

Although the second embodiment is illustrated as comprising the first optical element 310 and the first OAE 308 in the first beam path, and comprising the second optical element 314 and the second OAE 312 in the second beam path, additional optical elements may be placed in either beam path without substantially compensating for errors in optical alignment without departing from the spirit and scope of the present invention. The aligning of the first beam path by adjusting the first OAE 308 would still substantially compensate for the cumulative alignment errors of the first optical element 310 and the additional optical elements placed in the first beam path. The aligning of the second beam path by adjusting the second OAE 312 would still substantially compensate for the cumulative alignment errors of the second optical element 314 and the additional optical elements placed in the second beam path.

The two coupled non-parallel non-co-planar surfaces of the OAE 308 or 312 allows the method in accordance with the present invention to provide advantages not available with conventional methods of alignment. To assist in describing these advantages, the disadvantages of utilizing a conventional mirror with a single reflective surface is first described.

Figure 4 illustrates a conventional method for aligning optical elements utilizing a mirror as an alignment element. The mirror 400 has one reflective surface 402. A beam is reflected from the reflective surface 402 onto a location 404. Assume that Cartesian axes "x", "y", and "z" are defined as illustrated in Fig. 4. The beam can be aligned to the location 404 by rotating the mirror 400 about the x-axis ( $\theta_x$ ), rotating about the y-axis ( $\theta_y$ ), and by translating along the z-

axis. Translations along the x-axis or the y-axis or rotation about the z-axis have no effect on the positioning of the beam due to the symmetry of the mirror 400. The mirror 400 thus only has three degrees of freedom which affects the beam.

However, these three degrees of freedom are not adequate for all alignment situations.

5 For example, if an emitter beam is defined as a beam emitted from a first location in three-dimensional space, and a receiver beam is defined as a desired beam path to be received by a second location in the same three-dimensional space, then in order to accomplish alignment of the emitter beam path to the desired beam path, the emitter beam and the receiver beam must not only intersect at some point in the three-dimensional space but also be co-linear. If the emitter beam and receiver beam happen to intersect, then at the point of intersection, a mirror can be placed to make the beams collinear. However, if the beams do not intersect then a mirror can be used used to make the beams parallel, but not co-linear. Therefore, in some situations, positioning the emitter beam and the receiver beam with the three degrees of freedom described above still would not cause them to intersect and be co-linear. A fourth degree of freedom which affects the beam is required. This fourth degree of freedom is not possible with a mirror, such as mirror 400, since translations along the x-axis or the y-axis or rotation about the z-axis have no effect on the positioning of the beam due to the symmetry of the mirror 400. In contrast, the OAE in accordance with the present invention provides a fourth degree of freedom which affects the beam, as illustrated below.

20 Figures 5-11 illustrate an embodiment of the OAE in the method for aligning optical elements in accordance with the present invention. In this embodiment, the OAE is a prism 500.

For illustrative purposes, the Cartesian x-axis, y-axis, and z-axis are defined as shown in Figs. 5-11.

Figure 5 illustrates a top, side, and cross-sectional orthogonal views of the prism as the OAE in the method for aligning optical elements in accordance with the present invention. The top view illustrates the prism 500 along the z-axis; the side view illustrates the prism 500 along the x-axis; and the cross-sectional view illustrates the prism 500 along the y-axis. Figure 6 illustrates an isometric view of the prism as the OAE in the method for aligning optical elements in accordance with the present invention. In Figs. 5 and 6, an emitter 502 provides an emitted beam 510. The emitted beam 510 enters the prism 500 and reflects off a first surface 506 at point 514a to a second surface 508. The beam reflects off the second surface 508 at point 514b and exists the prism 500 as reflected beam 512. The reflected beam 512 travels to point 514c on a receiver 504. The first 506 and second 508 surfaces are non-parallel and non-co-planar, and one or both surfaces 506 and 508 includes a refractive or defractive element..

Figures 7-11 illustrate the positioning of a beam with various prism movements. The x-, y-, and z-axes at the prism 500 and receiver 504 are defined as shown in Figs. 7-11. Figure 7 illustrates the positioning of the beam with a prism movement in the x-direction. A movement of the prism 500 along the prism x-axis ( $X_p$ ) produces a shift along the receiver x-axis ( $X_r$ ) and a smaller shift along the receiver y-axis ( $Y_r$ ). One of ordinary skill in the art will understand that with the axes as defined above, the shift of the reflected beam 512 along  $Y_r$  results from some coupling along the prism z-axis ( $Z_p$ ), where movement of prism 500 along  $X_p$  results in additional path length for the beam. For example, the prism 500 can be moved such that the emitted beam 510 is reflected from the first surface 506 at point 702a, reflected from the second

surface 508 at point 702b, and travels to point 702c on the receiver 504. For another example, the prism 500 can be moved such that the emitted beam 510 is reflected from the first surface 506 at point 704a, reflected from the second surface 508 at point 704b, and travels to point 704c on the receiver 504.

5            Figure 8 illustrates the positioning of the beam with a prism movement in the  $\theta_x$  direction. A movement of the prism 500 in the prism  $\theta_x$  direction results in a shift of the reflected beam 512 along  $Y_r$  and rotated in the receiver  $\theta_x$  ( $\theta_{xr}$ ) direction. For example, the prism 500 can be moved such that the emitted beam 510 is reflected from the first surface 506 approximately at point 514a, reflected from the second surface 508 at approximately point 514b, and travels either  
10 to point 802 or 804 on the receiver 504. Since the point 514a on the first surface 506 is moved a small amount compared to the movement of the points 802 or 804 on the receiver 504, the angle of  $\theta_{xr}$  is changed. Thus, there are small changes in the points 514a and 514b when rotating about the prism  $\theta_x$  axis ( $\theta_{xp}$ ).

Figure 9 illustrates the positioning of the beam with a prism movement in the z-direction.

15            A movement of the prism 500 along  $Z_p$  results in a shift of the reflected beam 512 along  $Y_r$ . For example, the prism 500 can be moved such that the emitted beam 510 is reflected from the first surface 506 at point 902a, reflected from the second surface 508 at point 902b, and travels to point 902c on the receiver 504. For another example, the prism 500 can be moved such that the emitted beam 510 is reflected from the first surface 506 at point 904a, reflected from the second  
20 surface 508 at point 904b, and travels to point 904c on the receiver 504.

Figure 10 illustrates the positioning of the beam with a prism movement in the  $\theta_z$  direction. A movement of the prism 500 in the prism  $\theta_z$  direction ( $\theta_{zp}$ ) results in a shift of the

104640 "nes 3160  
10  
15

reflected beam 512 along the  $X_r$ , and about the receiver  $\theta_y$  ( $\theta_{yr}$ ) direction and a smaller shift along the  $Y_r$  and about the  $\theta_r$  direction. For example, the prism 500 can be moved such that the emitted beam 510 is reflected from the first surface 506 at point 1002a, reflected from the second surface 508 at point 1002b, and travels to point 1002c on the receiver 504. For another example, the  
5 prism 500 can be moved such that the emitted beam 510 is reflected from the first surface 506 at point 1004a, reflected from the second surface 508 at point 1004b, and travels to point 1004c on the receiver 504.

For the sake of completeness, Figure 11 illustrates the positioning of the beam with a prism movement in the prism y-direction and in the prism  $\theta_y$  ( $\theta_{yp}$ ) direction. A movement of the prism 500 in the prism y-direction ( $Y_p$ ) and the  $\theta_{yp}$  direction results in a negligible shift in the reflected beam 512.

Thus, the prism 500 provides four degrees of freedom which affect the reflected beam 512: translation of the reflected beam 512 along  $X_r$ , translation of the reflected beam 512 along  $Y_r$ , rotation of the reflected beam 512 about  $\theta_{xr}$ , and rotation of the reflected beam 512 about  $\theta_{yr}$ . If the receiver 504 is an optical fiber, then the translations along  $X_r$  and  $Y_r$  center the reflected beam 512 on the face of the fiber, and the rotations about  $\theta_{xr}$  and  $\theta_{yr}$  ensures that the reflected beam 512 enters the fiber perpendicular to the fiber's face. With these four degrees of freedom which affect the receiver beam 512, the prism 500 can align light beams between two locations.

Although the axes are defined as illustrated in Figs. 5-11, one of ordinary skill in the art  
20 will understand that the axes can be defined in other ways without departing from the spirit and scope of the present invention.

The present invention provides significant advantages over conventional methods in the manufacturing of optical devices. The method in accordance with the present invention allows all optical elements in a device, other than the OAE 204, to be placed and fixed in place without substantially compensating for optical alignment errors, such as using a reference surface or a vision system, or some other system or method that does not substantially compensate for optical alignment errors. The OAE 204 is inserted into the beam path, and the beam is aligned to a desired beam path, where alignment of the beam path substantially compensates for cumulative alignment errors in the beam path. This greatly increases the ease in the manufacturing of optical devices, especially for devices with numerous optical elements, and lowers the cost of manufacturing. Because only the OAE 204 needs to be accessed and moved for alignment, the size of the device can be smaller. Also, the tolerances of the placement of optical elements are also increased, and the optical elements do not require special features for alignment.

The OAE 204 can be engineered for thermal stability by choosing a material with a low coefficient of thermal expansion, by choosing a geometry which limits the movement of the OAE 204 as the temperature changes, or by choosing a coefficient of thermal expansion which matches or nearly matches its surrounding points of contact with the coefficient of thermal expansion of the system. The OAE 204 can be engineered for beam displacement sensitivity by choosing a geometry which provides a desired angle between the two reflective surfaces 208a-208b. The OAE 204 can also be engineered with special mounting, or other features, or with a desired size. the shape and size of the OAE 204 correlates to the amount of alignment errors for which can be compensated. Also, a mounting element may be fixed to the OAE 204 which substantially improves the method of positioning, fixing, and stabilizing the OAE 204 over

temperature and improves the reliability or packaging of a system that includes the OAE 204 by, for example, improving the ability to hermetically seal the system.

An OAE 204 can be designed to achieve a desired optical path, such as a compact system design with an optical “fold” in the beam path provided by the two surfaces 208a-208b of the OAE 204. For an OAE 204 with Total Internal Reflection (TIR), a very low insertion loss is possible.

The OAE 204 may be oriented using a multi-axes alignment algorithm. To assist in understanding the multi-axes alignment algorithm, a simpler, two-axes alignment algorithm is first described. Figure 12 illustrates the two-axis alignment algorithm. The schematic diagram of Fig. 12 has a vertical axis representing optical power, and the hill shaped curve 1200 representing the measured optical power of a beam as it enters a receiving location, such as either the first 206 or the second 208 location (Fig. 2) at various placements and orientations of the OAE 204. The goal of the alignment algorithm is to find the peak 1202 of the curve 1200 to within the application’s performance requirements. The placement and orientation of the OAE 204 are changed in incremental steps. At each step, the optical power at the receiving location is detected and measured. If the optical power drops at a subsequent step, a peak has been found. To avoid getting trapped at local peaks 1204 in the curve 1200, the optical power is checked beyond each local maximum point. As the power level reaches the absolute peak 1202, repeated iterations of adjusting the OAE’s 204 placement and orientation can be performed with increasingly smaller steps in order to detect the peak 1202 more accurately.

The multi-axes alignment algorithm performs the incremental steps for two or more axes.

The axes need not correspond to Cartesian or orthogonal axis and can be related to system,



physical or other characteristics of the optical device and/or OAE being aligned. Figure 13 is a flowchart illustrating the embodiment of the multi-axes alignment algorithm utilized in the method for aligning optical elements in accordance with the present invention. The alignment algorithm is performed on the four axes of the OAE 204 which provides the four degrees of freedom that affects the reflected beam. First, the initial parameters of the algorithm are selected, via step 1302. The parameters can comprise the iteration step size and the number of iterations. It can also comprise the definition of the four axes. Other parameters are possible. Then, the maximum power is found while moving the OAE 204 along a first axis, via step 1304, moving the OAE 204 along a second axis, via step 1306, moving the OAE 204 along a third axis, via step 1308, and moving the OAE 204 along a fourth axis, via step 1310. The order and number of repetitions in which steps 1304 through 1310 are performed may vary. For example, the first iterations may be performed along the most sensitive axis, or multiple iterations can be performed for one or more axes before proceeding to the other axes. The order can be chosen to increase the speed or ease at which proper alignment is achieved. If the predetermined number of iterations have not been performed, via step 1312, then the parameters are adjusted, via step 1314. For example, the iteration step size can be made smaller. Then, steps 1304 through 1310 are repeated.

The method for aligning optical elements in accordance with the present invention may be used to manufacture many different optical devices. For example, it can be used to manufacture a single or multi-channel multiplexer, demultiplexer, transmitter, receiver, or transceiver, or any combination thereof.

10  
15  
20

Figure 14 illustrates an embodiment of a single-channel device manufactured using the method of aligning optical elements in accordance with the present invention. The device 1400 can be a single-channel transmitter or receiver or any other optical system or device, comprising an optical element 1402, an OAE 1404, a filter 1406, and an element 1408. In this embodiment, the filter 1406 can be a reflective or a transmissive filter, or some other optical element which performs the same function. The embodiment of Fig. 14 depicts 1406 as a band reflection filter, however in other embodiments 1406 can be any other optical element including but not limited to a band transmission filter, mirror, a polarizer a lens another optical system or subsystem optical element. As a transmitter, the optical element 1402 is some type of light source, such as a laser or an optical fiber. The light source emits a beam which traverses through the OAE 1404 as described above with Fig. 2. The beam exits the OAE 1404 to the filter 1406. The filter 1406 causes a wavelength,  $\lambda$ , or set of wavelengths, to traverse to the element 1408. The element 1408 is some type of output, such as a fiber, a detector, nozzle, lens, collimator, or any other passive or active optical system or subsystem.

As a receiver, the beam traverses the device 1400 in a direction that is reversed from the transmitter. As a receiver, the element 1408 is some type of light source, such as a laser or optical fiber. The element 1408 emits a beam comprising a wavelength  $\lambda$ , or set of wavelengths, which traverses the filter 1406 to the OAE 1404. The beam traverses the OAE 1404 to the optical element 1402, which is some type of output, such as a fiber, detector, lens collimator, or any other passive or active optical system of subsystem.

In manufacturing the device 1400, the optical element 1402, the element 1408, and the filter 1406 are placed in the beam path and fixed in place without substantially compensating for

optical alignment errors. The OAE 1404 is placed in the beam path as well. The placement and orientation of the OAE 1404 is adjusted to align the beam path to a desired beam path. The alignment of the beam path substantially compensates for the cumulative alignment errors of the optical element 1402, the element 1408, and the filter 1406. Once aligned, the OAE 1404 is fixed in place.

Figure 15 illustrates a first embodiment of a multi-channel device manufactured using the method for aligning optical elements in accordance with the present invention. The device 1500 can be a passive or active multiplexer, demultiplexer, transmitter, receiver, or transceiver, or any combination thereof. In this embodiment, the device 1500 is a two-channel device, with two beam paths. In the first beam path, the device 1500 comprises a first optical element 1502a, a first OAE 1504a, a first filter 1506a, and an element 1508. In the second beam path, the device 1500 comprises a second optical element 1502b, a second OAE 1504b, a second filter 1506b, and the element 1508. In this embodiment, either filters 1506a or 1506b can be a reflective or transmissive filter, or some other optical element which performs the same or similar function, and in other embodiments filter 1506a can be a mirror or some other non-filtering reflective optical element. As a transmitter, the first 1502a and second 1502b optical elements are some type of light sources, such as lasers or optical fibers. The first optical element 1502a emits a beam which traverses through the first OAE 1504a. The beam exits the first OAE 1504a to the first filter 1506a. The first filter 1506a causes a first wavelength,  $\lambda_1$ , or set of wavelengths, to traverse to the element 1508. The element 1508 is some type of output, such as a fiber, nozzle, lens, focusing optic, collimator, or any other passive or active optical system or subsystem. The second optical element 1502b emits a beam which traverses through the second OAE 1504b. The

beam exits the second OAE 1504b to the second filter 1506b. The second filter 1506b causes a second wavelength,  $\lambda_2$ , or set of wavelengths, to traverse to the element 1508. The first wavelength,  $\lambda_1$ , from the first filter 1506a is transmitted through the second filter 1506b. A multiplexed beam comprising  $\lambda_1$  and  $\lambda_2$  is transmitted to the element 1508.

5           As a receiver, the beams in the first and second beam paths traverse the device 1500 in a direction that's reversed from the transmitter. As a receiver, the first 1502a and second 1502b optical elements are some type of output, such as optical fibers, detectors, lenses, focusing optics, collimators, or any other passive or active optical systems or subsystems. The element 1508 is some type of light source, such as a laser or optical fiber. The element 1508 emits a multiplexed beam comprising  $\lambda_1$  and  $\lambda_2$  and transmits it to the second filter 1506b. The second filter 1506b causes  $\lambda_2$  to traverse to the second OAE 1504b. The second wavelength,  $\lambda_2$ , traverses the second OAE 1504b and is transmitted to the second optical element 1502b. The first wavelength,  $\lambda_1$ , is transmitted through the second filter 1506b to the first filter 1506a. The first filter 1506a causes  $\lambda_1$  to traverse to the first OAE 1504a. The first wavelength,  $\lambda_1$ , traverses through the first OAE 1504a and is transmitted to the first optical element 1502a.

As a transceiver, one beam path of the device 1500 functions similarly to a beam path in the transmitter while the other beam path functions similarly to a beam path in the receiver.

In manufacturing the device 1500, the first optical element 1502a, the second optical element 1502b, the element 1508, the first filter 1506a, and the second filter 1506b are placed in their respective beam paths and fixed in place without substantially compensating for optical alignment errors. The first OAE 1504a is placed in the first beam path, and the second OAE 1504b is placed in the second beam path. The placement and orientation of the first OAE 1504a

FIG. 16

is adjusted to align the first beam path to a first desired beam path. The alignment of the first beam path substantially compensates for the cumulative alignment errors of the first optical element 1502a, the element 1508, and the first filter 1506a in the first beam path. The placement and orientation of the second OAE 1504b is adjusted to align the second b beam path to a second desired beam path between the second 1502b. The alignment of the second beam path substantially compensates for the cumulative alignment errors of the second optical element 1502b, the element 1508, and the second filter 1506b in the second beam path. Once aligned, the OAE's 1504a-1504b are fixed in place.

Figure 16 illustrates a second embodiment of a multi-channel device manufactured using the method for aligning optical elements in accordance with the present invention. The device 1600 can be a passive or active multiplexer, demultiplexer, transmitter, receiver, or transceiver, or any combination thereof. In this second embodiment, the device 1600 is a four-channel device, with four beam paths. In the first beam path, the device 1600 comprises a first optical element 1602a, a first OAE 1604a, a first filter 1606a, and an element 1608. In the second beam path, the device 1600 comprises a second optical element 1602b, a second OAE 1604b, a second filter 1606b, and the element 1608. In the third beam path, the device 1600 comprises a third optical element 1602c, a third OAE 1604c, a third filter 1606c, and the element 1608. In the fourth beam path, the device 1600 comprises a fourth optical element 1602d, a fourth OAE 1604d, a fourth filter 1606d, and the element 1608. In this second embodiment, any of the filters 1606a-1606d can be a reflective or transmissive filter, or some other optical element which performs the same function.

As a transmitter, the optical elements 1602a-1602d are each some type of light source, such as a laser or optical fiber. The element 1608 is some type of output, such as a fiber, detector, nozzle, lens, focusing optic, collimator, or any other passive or active optical system or subsystem. The first optical element 1602a emits a beam which traverses through the first OAE 1604a. The beam exits the first OAE 1604a to the first filter 1606a. The first filter 1606a causes a first wavelength,  $\lambda_1$ , or set of wavelengths, to traverse to the element 1608. The second optical element 1602b emits a beam which traverses through the second OAE 1604b to the second filter 1606b. The second filter 1606b causes a second wavelength,  $\lambda_2$ , or set of wavelengths, to traverse to the element 1608. The first wavelength,  $\lambda_1$ , is transmitted through the second filter 1606b. The third optical element 1602c emits a beam which traverses through the third OAE 1604c to the third filter 1606c. The third filter 1606c causes a third wavelength,  $\lambda_3$ , or set of wavelengths, to traverse to the element 1608. The first and second wavelengths ( $\lambda_1, \lambda_2$ ) are transmitted through the third filter 1606c. The fourth optical element 1602d emits a beam which traverses through the fourth OAE 1604d to the fourth filter 1606d. The fourth filter 1606d causes a fourth wavelength,  $\lambda_4$ , or set of wavelengths, to traverse to the element 1608. The first, second, and third wavelengths ( $\lambda_1, \lambda_2, \lambda_3$ ) are transmitted through the fourth filter 1606d. A multiplexed beam comprising  $\lambda_1, \lambda_2, \lambda_3$ , and  $\lambda_4$  is transmitted to the element 1608.

As a receiver, the beams in the first through fourth beam paths traverse the device 1600 in a direction that's reversed from the transmitter. As a receiver, the optical elements 1602a-1602d are each some type of outputs, such as optical fibers, detectors, lenses, focusing optics, collimators, or some other passive or active optical systems or subsystems. The element 1608 is some type of light source, such as a laser or optical fiber. The element 1608 emits a multiplexed

beam comprising  $\lambda_1$ ,  $\lambda_2$ ,  $\lambda_3$ , and  $\lambda_4$  and transmits it to the fourth filter 1606d. The fourth filter 1606d causes  $\lambda_4$  to traverse to the fourth OAE 1604d. The fourth wavelength,  $\lambda_4$ , traverses the fourth OAE 1604d and is transmitted to the fourth optical element 1602d. The remaining wavelengths,  $\lambda_1$ ,  $\lambda_2$ , and  $\lambda_3$ , are transmitted through the fourth filter 1606d to the third filter 1606c. The third filter 1606c causes  $\lambda_3$  to traverse to the third OAE 1604c. The third wavelength,  $\lambda_3$ , traverses the third OAE 1604c and is transmitted to the third optical element 1602c. The remaining wavelengths,  $\lambda_1$  and  $\lambda_2$ , are transmitted through the third filter 1606c to the second filter 1606b. The second filter 1606b causes  $\lambda_2$  to traverse to the second OAE 1604b. The second wavelength,  $\lambda_2$ , traverses the second OAE 1604b and is transmitted to the second optical element 1602b. The remaining wavelength,  $\lambda_1$ , is transmitted through the second filter 1606b to the first filter 1606a. The first filter 1606a causes  $\lambda_1$  to traverse to the first OAE 1604a. The first wavelength,  $\lambda_1$ , traverse the first OAE 1604a and is transmitted to the first optical element 1602a.

As a transceiver, one or more beam paths of the device 1600 function similarly to a beam path in the transmitter while the other beam paths function similarly to a beam path in the receiver.

In manufacturing the device 1600, the optical elements 1602a-1602d, the element 1608, and the filters 1606a-1606d are fixed in place to a chassis (not shown) in their respective beam paths without substantially compensating for optical alignment errors. (The chassis is described below with reference to Fig. 20.) The OAE's 1604a-1604d are placed in their respective beam paths. The placement and orientation of the first OAE 1604a is adjusted to align the first beam path to a first desired beam path. The alignment of the first beam path substantially compensates

FIG. 10

for the cumulative alignment errors of the first optical element 1602a, the element 1608, and the first filter 1606a in the first beam path. The placement and orientation of the second OAE 1604b is adjusted to align the second beam path to a second desired beam path. The alignment of the second beam path substantially compensates for the cumulative alignment errors of the second optical element 1602b, the element 1608, and the second filter 1606b in the second beam path. The placement and orientation of the third OAE 1604c is adjusted to align the third beam path to a third desired beam path. The alignment of the third beam path substantially compensates for the cumulative alignment errors of the third optical element 1602c, the element 1608, and the third filter 1606c in the third beam path. The placement and orientation of the fourth OAE 1604d is adjusted to align the fourth beam path to a fourth desired beam path. The alignment of the fourth beam path substantially compensates for the cumulative alignment errors of the fourth optical element 1602d, the element 1608, and the fourth filter 1606d in the fourth beam path. Once aligned, the OAE's 1604a-1604d are fixed in place to the chassis.

Note that in this embodiment, the alignment for each wavelength is independent from the others. Thus, the alignment of one wavelength does not require realignment for any of the other wavelengths, increasing the ease of aligning the optical elements in the device as a whole.

Although the embodiments of the device manufactured utilizing the method in accordance with the present invention is described with one, two, and four channels, one of ordinary skill in the art will understand that devices which support any number of channels, as well as having different sizes or data rates, may be manufactured utilizing the method without departing from the spirit and scope of the present invention.



10  
15  
20

Figure 17 illustrates an embodiment of a light source in accordance with the present invention. The light source 1700 can comprise either of the optical elements 1402 or 1408 of the device 1400 as a transmitter or receiver. The light source 1700 can also comprise any one or more of the optical elements 1502a-1502b or element 1508 of the device 1500 as a transmitter, receiver, or transceiver. The light source 1700 can also comprise one or more of the optical elements 1602a-1602d or element 1608 of the device 1600 as a transmitter, receiver, or transceiver.

The light source 1700 is a collimated laser package which comprises an emitter 1902 mounted on a submount 1710, which is mounted onto a header 1712. The emitter 1702 and submount 1710 are surrounded by a cap 1704 which is coupled to the header 1712. The ends of a plurality of the pins 1714 are coupled to the emitter 1702 or any other components (not shown) within the cap 1704 by wire bonds (not shown) or some other means. The other ends of the pins 1714 are coupled to an external circuit (not shown). The cap 1704 may comprise a material such as Kovar. The cap 1704 has an opening 1706 through which light from the emitter 1702 may traverse out of the light source 1700. The opening 1706 can house a lens 1708 for collimating the beam from the emitter 1702 as it exits the light source 1700. Alternatively, the opening 1706 can house a window (not shown) with the lens 1708 mounted outside of the cap 1704. The lens 1708 may be replaced by some other type of collimator. The lens 1708 may be aligned to the cap 1704 for accurate collimation, or the lens 1708 and cap 1704 may be aligned to the header 1712 and fixed. In other embodiments the light source can be temperature controlled, using for example a thermoelectric cooler, to achieve desired output characteristics such as wavelength drift.

Figure 18 illustrates an embodiment of a detector in accordance with the present invention. The detector package 1800 can comprise either of the optical elements 1402 or 1408 of the device 1400 as a transmitter or receiver. The detector package 1800 can also comprise one or more of the optical elements 1502a-1502b of the device 1500 as a receiver or transceiver. The detector package 1800 can also comprise one or more of the optical elements 1602a-1602d of the device 1600 as a receiver or transceiver.

The detector package 1800 comprises a detector 1802 residing on a header 1806. The detector 1802 is surrounded by a cap 1804. The cap 1804 also resides on the header 1806. The ends of a plurality of pins 1808 are coupled to the detector 1802 or any other components (not shown) within the cap 1804 by wire bonds (not shown) or some other means. The other ends of the pins 1808 are coupled to an external circuit (not shown). The cap 1804 has an opening 1810 through which light may enter the detector package 1800 to the detector 1802. The opening 1810 can house a lens 1812 for focusing a beam that enters the detector package 1800 onto the detector 1802. Alternatively, the opening 1810 can house a window (not shown) with the lens 1812 mounted outside of the cap 1804. The lens 1812 may be replaced by some other type of focusing element. The lens 1812 may be aligned to the cap 1804 for accurate focusing onto the detector 1802, or the lens 1812 and cap 1804 may be aligned to the header 1806 and fixed.

Figure 19 illustrates an example multi-channel device which utilizes the light source or detector in accordance with the present invention. The device 1900 comprises a first optical element 1902, a first OAE 1904, and a first filter 1906 in a first beam path between the first optical element 1902 and a location 1908. The device 1900 also comprises a second optical element 1910, a second OAE 1912, and a second filter 1914 in a second beam path between the

10  
15  
20

second optical element 1910 and a location 1908. The device 1900 would function similarly to the device 1500 (Fig. 15). If the device 1900 is a transmitter, then the optical elements 1902 and 1910 are each the light source 1700 (Fig. 17). If the device 1900 is a receiver, then the optical elements 1902 and 1910 are each the detector package 1800 (Fig. 18). If the device 1900 is a transceiver, then one of the elements 1902 or 1910 is the light source 1700 while the other is the detector package 1800.

The benefits realized by devices manufactured with the method in accordance with the present invention includes the low manufacturing cost due to the ease of alignment and the reduced size of the device. The device may be used in conjunction with many conventional systems to realize the unique advantages provided by the method for aligning optical elements in accordance with the present invention. For example, the compact design possible with the method enables multi-channel transceiver module scalability on line cards, i.e., allow the devices to be stacked side by side, which provides cost savings. The devices may be "pigtailed" as well. For example, one or more of the optical devices 1602a-1602d can be the output from another device, including, but not limited to, a multiplexer, demultiplexer, laser, detector, or any other passive or active system or subsystem. The compact design also enables more channels than conventional device form factors. Because of the modular design possible with devices manufactured with the method in accordance with the present invention, multiple multiplexers or active multi-channel systems can be serialized to build high channel count systems, such as N-channel passive optical multiplexers. The method also allows single mode fiber alignment within required tolerances.

The products and systems which can be manufactured with the method in accordance

10  
15  
20  
25  
30  
35  
40  
45  
50  
55  
60  
65  
70  
75  
80  
85  
90  
95  
100  
105  
110  
115  
120  
125  
130  
135  
140  
145  
150  
155  
160  
165  
170  
175  
180  
185  
190  
195  
200  
205  
210  
215  
220  
225  
230  
235  
240  
245  
250  
255  
260  
265  
270  
275  
280  
285  
290  
295  
300  
305  
310  
315  
320  
325  
330  
335  
340  
345  
350  
355  
360  
365  
370  
375  
380  
385  
390  
395  
400  
405  
410  
415  
420  
425  
430  
435  
440  
445  
450  
455  
460  
465  
470  
475  
480  
485  
490  
495  
500

with the present invention include optical multiplexers/demultiplexers, transceivers, and switch or hub systems, including, but not limited to, GigaBit Interface Converters (GBIC), small form factor (SFF) transceivers, Bidi transceivers, Triplexers, fiber grating lasers (FGL), dense wavelength division multiplexing (DWDM) systems, and transceivers designed for capability with XAUI, XENPAK, XGP, or other transceiver-related standards, or standard promulgated by a standards body, including IEEE standards and the IEEE 802 standard.

Figure 20 illustrates an isometric view and a bottom view, of an embodiment of the chassis in accordance with the present invention. In this embodiment, a chassis 2000 for a four-channel device, such as device 1600 (Fig. 16), is illustrated. A chassis for a device with fewer or more channels can also be provided without departing from the spirit and scope of the present invention. The chassis 2000 comprises four pockets 2002a-2002d, four lightpath slots 2004a-2004d, a nozzle bore 2006, a through hole 2008, four slots 2010a-2010d, and four bores 2012a-2012d. The nozzle bore 2006 houses a nozzle (not shown) which comprises the element 1608 (Fig. 16). Light to (or from) the element 1608 exits (or enters) the chassis 2000 via the through hole 2008.

The four pockets 2002a, 2002b, 2002c, and 2002d house the first 1604a, second 1604b, third 1604c, and fourth 1604d OAE's, respectively. The pockets 2002a-2002d allow the OAE's 1604a-1604d to be accessed and moved during the alignment process. Once aligned, the OAE's 1604a-1604d are each fixed to the chassis 2000.

Figure 21 illustrates an embodiment of a method of positioning and fixing the alignment element to the chassis in accordance with the present invention. A vacuum tube 2102 holds each OAE 1604a-1604d within its pocket 2002a-2002d during the alignment process. Once the

alignment is accomplished, a dispenser (not shown) applies epoxy 2104 to the corners of the each OAE 1604a-1604d. In this embodiment, an ultraviolet-curable epoxy is used. Once the epoxy 2104 is applied, the OAE's 1604a-1604d and the epoxy are bombarded with ultraviolet, fixing them to the chassis 2000. Alternatively, the OAE's 1604a-1604d can be soldered or welded to the chassis 2000 or fixed through some other method.

Returning to Fig. 20, the filter slots 2010a, 2010b, 2010c, and 2010d house the first 1606a, second 1606b, third 1606c, and fourth 1606d filters, respectively. The bores 2012a, 2012b, 2012c, and 2012d house the first 1602a, second 1602b, third 1602c, and fourth 1602d optical elements, respectively. For example, the collimated laser package 1700 or the detector package 1800 may be housed in one or more of the bores 2012a-2012d. The nozzle bore 2006, through hole 2008, bores 2010a-2010d, and filter slots 2012a-2012d allow the element 1608, optical elements 1602a-1602d, and filters 1606a-1606d, respectively, to be placed and fixed to the chassis 2000 without substantially compensating for optical alignment errors. Each OAE 1604a-1604d is placed within their respective pockets 2002a-2002d, and alignment for each beam path is attempted, as described above. Once aligned, the OAE's 1604a-1604d are fixed to the chassis 2000.

Figure 22 illustrates an embodiment of a system for the method for aligning optical elements in accordance with the present invention. The system 2200 comprises a positioner 2204 with an arm 2206. The arm 2206 places each OAE 1604a-1604d into its respective pocket 2002a-2002d. The arm 2206 holds each OAE 1604a-1604d during alignment according to the method of the present invention. A computer 2208 comprising alignment software 2210 controls the positioner 2204. For example, the alignment software 2210 can implement the multi-axes

alignment algorithm, as described above. The alignment software 2210 analyzes the power level of each beam at a location. It changes the placement and orientation of each OAE 1604a-1604d according to the alignment algorithm by sending commands to the positioner 2204. As each beam path is aligned, the OAE's 1604a-1604d are fixed to the chassis 2000.

5 An improved method for aligning optical elements has been disclosed. The method aligns optical elements by adjusting the placement and orientation of an optical alignment element (OAE) in a beam path. The adjustment of the beam path is able to substantially compensate for the cumulative alignment errors in the beam path. The method allows the optical elements in a device, other than the OAE, to be placed and fixed in place without substantially  
10 compensating for optical alignment errors. The OAE is inserted into the beam path and adjusted. This greatly increases the ease in the manufacturing of optical devices, especially for devices with numerous optical elements, and lowers the cost of manufacturing. Even as the number of optical elements in the device increases, alignment is still accomplished through the adjustment of the OAE. Because only the OAE needs to be accessed and moved for alignment, the size of the device can be smaller. Also, the tolerances of the placement of optical elements are  
15 increased, and the optical elements do not require special features for alignment.

Although the present invention has been described in accordance with the embodiments shown, one of ordinary skill in the art will readily recognize that there could be variations to the embodiments and those variations would be within the spirit and scope of the present invention.  
20 Accordingly, many modifications may be made by one of ordinary skill in the art without departing from the spirit and scope of the appended claims.

## CLAIMS

What is claimed is:

- 1           1.       A method for aligning a plurality of optical elements in an optical device,  
2 comprising the steps of:
- 3           (a)     placing at least a first optical element in a first beam path;
- 4           (b)     fixing the first optical element in place without substantially compensating for  
5 errors in optical alignment;
- 6           (c)     placing at least a first optical alignment element (OAE) in the first beam path; and  
7           (d)     aligning the first beam path to a first desired beam path by adjusting the first  
8 OAE, wherein the alignment of the first beam path substantially compensates for cumulative  
9 alignment errors in the first beam path.
- 10           2.       The method of claim 1, wherein the first OAE comprises two coupled, non-  
11 parallel, and non-co-planar surfaces, wherein at least one of the surfaces comprises a refractive or  
12 defractive element.
- 13           3.       The method of claim 1, wherein the first OAE comprises two coupled, non-  
14 parallel, and non-co-planar surfaces, wherein each of the two of the coupled, non-parallel, and  
15 non-co-planar surfaces include a reflective element in the first beam path.
- 16           4.       The method of claim 1, wherein the first optical element comprises one of the

2 following:

- 3 a lens;
- 4 a mirror;
- 5 a collimator;
- 6 a laser;
- 7 a detector;
- 8 an optical fiber;
- 9 a fiber collimator;
- 10 a light emitting diode;
- 11 a holographic element;
- 12 an optical signal modulator;
- 13 a thermoelectrically cooled laser
- 14 a grating; and
- 15 an array of optical devices.

1 5. The method of claim 1, wherein the first optical element is a first filter.

1 6. The method of claim 4, wherein the first filter is a first reflective notch filter.

1 7. The method of claim 1, further comprising:

- 2 (a1) placing at least a second optical element in a second beam path;
- 3 (b1) fixing the second optical element in place without substantially compensating for



4 errors in optical alignment;  
5 (c1) placing at least a second OAE in the second beam path; and  
6 (d1) aligning the second beam path to a second desired beam path by adjusting the  
7 second OAE, wherein the alignment of the second beam path substantially compensates for  
8 cumulative alignment errors in the second beam path.

1 8. The method of claim 7, wherein the second optical element comprises a second  
2 filter.

3 9. The method of claim 8, wherein the second filter is a second reflective notch  
4 filter.

5 10. The method of claim 7, further comprising:  
6 (a2) placing at least a third optical element in a third beam path;  
7 (b2) fixing the third optical element in place without substantially compensating for  
8 errors in optical alignment;  
9 (c2) placing at least a third OAE in the third beam path; and  
10 (d2) aligning the third beam path to a third desired beam path by adjusting the third  
11 OAE, wherein the alignment of the third beam path substantially compensates for cumulative  
12 alignment errors in the third beam path.

1 11. The method of claim 9, wherein the third optical element comprises a third filter.

1 12. The method of claim 11, wherein the third filter is a third reflective notch filter.

1 13. The method of claim 10, further comprising:

2 (a3) placing at least a fourth optical element in a fourth beam path;

3 (b3) fixing the fourth optical element in place without substantially compensating for  
4 errors in optical alignment;

5 (c3) placing at least a fourth OAE in the fourth beam path; and

6 (d3) aligning the fourth beam path to a fourth desired beam path by adjusting the  
7 fourth OAE, wherein the alignment of the fourth beam path substantially compensates for  
8 cumulative alignment errors in the fourth beam path.

9 14. The method of claim 13, wherein the fourth optical element comprises a fourth  
10 filter.

11 15. The method of claim 14, wherein the fourth filter is a fourth reflective notch filter.

12 16. The method of claim 1, wherein the adjusting step (d) comprises:

13 (d1) selecting values for a plurality of parameters;

14 (d2) adjusting a placement and an orientation of the first OAE in the first beam path  
15 along a plurality of axes;

16 (d3) determining a power level for the first beam path at a location; and

17 (d4) repeating steps (d2) and (d3) if the power level for the first beam path is not

7 approximately a desired power level.

1 17. The method of claim 16, further comprising:

2 (d2i) adjusting a placement and an orientation of a second OAE in a second beam path  
3 along the plurality of axes;

4 (d3i) determining a power level for the second beam path at the location; and

5 (d4i) repeating steps (d2i) and (d3i) if the power level for the second beam path is not  
6 approximately a desired power level.

18. The method of claim 17, further comprising:

(d2ii) adjusting a placement and an orientation of a third OAE in a third beam path  
along the plurality of axes;

(d3ii) determining a power level for the third beam path at the location; and

(d4ii) repeating steps (d2ii) and (d3ii) if the power level for the third beam path is not  
approximately a desired power level.

1 19. The method of claim 18, further comprising:

2 (d2iii) adjusting a placement and an orientation of a fourth OAE in a fourth beam path  
3 along the plurality of axes;

4 (d3iii) determining a power level for the fourth beam path at the location; and

5 (d4iii) repeating steps (d2iii) and (d3iii) if the power level for the fourth beam path is not  
6 approximately a desired power level.

1  
2  
1  
1  
1  
1  
1  
2  
1  
2  
1  
2  
1  
2  
3  
4

- 20. The method of claim 1, further comprising:
  - (e) fixing the first OAE in the first beam path in place.
  
- 21. The method of claim 20, wherein the fixing step (e) includes the use of epoxy.
  
- 22. The method of claim 20, wherein the fixing step (e) includes the use of welding.
  
- 23. The method of claim 20, wherein the fixing step (e) includes the use of soldering.
  
- 24. The method of claim 20, further comprising:
  - (e1) fixing a second OAE in a second beam path in place.
  
- 25. The method of claim 24, further comprising:
  - (e2) fixing a third OAE in a third beam path in place.
  
- 26. The method of claim 25, further comprising:
  - (e3) fixing a fourth OAE in a fourth beam path in place.
  
- 27. The method of claim 1, comprising:
  - placing a fifth optical element in the first beam path;
  - fixing the fifth optical element in place without substantially compensating for errors in optical alignment;

5 placing a sixth optical element in the first beam path; and  
6 fixing the sixth optical element in place without substantially compensating for errors in  
7 optical alignment.

1 28. The method of claim 1, wherein:  
2 the optical device includes a system conforming to an IEEE standard.

1 29. The method of claim 1, wherein:  
2 the optical device includes a system conforming to an IEEE 802 standard.

1 30. The method of claim 1, wherein:  
2 the optical device includes a system conforming to one or more of a XAUI, XENPAK  
3 and XGP transceiver standard.

1 31. A method for aligning a plurality of optical elements in an optical device,  
2 comprising the steps of:

3 (a) placing at least a first optical element in a first beam path and at least a second  
4 optical element in a second beam path;

5 (b) fixing the first optical element and the second optical element in place without  
6 substantially compensating for errors in optical alignment;

7 (c) placing at least a first OAE in the first beam path and at least a second OAE in the  
8 second beam path; and

9 (d) aligning the first beam path to a first desired beam path by adjusting the first OAE  
10 and aligning the second beam path to a second desire beam path by adjusting the second OAE,  
11 wherein the alignment of the first beam path substantially compensates for cumulative alignment  
12 errors in the first beam path, wherein the alignment of the second beam path substantially  
13 compensates for cumulative alignment errors in the second beam path.

1 32. The method of claim 31, wherein the first OAE comprises two coupled, non-  
2 parallel, and non-co-planar surfaces, wherein at least one of the surfaces comprises a refractive or  
3 defractive element.

1 33. The method of claim 31, wherein the first OAE comprises two coupled, non-  
2 parallel, and non-co-planar surfaces, wherein each of the two of the coupled, non-parallel, and  
3 non-co-planar surfaces include a reflective element in the first beam path.

1 34. The method of claim 31, wherein the second OAE comprises two coupled, non-  
2 parallel, and non-co-planar surfaces, wherein at least one of the surfaces comprises a refractive or  
3 defractive element.

1 35. The method of claim 31, wherein the first OAE comprises two coupled, non-  
2 parallel, and non-co-planar surfaces, wherein each of the two of the coupled, non-parallel, and  
3 non-co-planar surfaces include a reflective element in the first beam path.

1           36.    The method of claim 31, wherein the first optical element comprises one of the  
2 following:

- 3           a lens;
- 4           a mirror;
- 5           a collimator;
- 6           a laser;
- 7           a detector;
- 8           an optical fiber;
- 9           a fiber collimator;
- 10          a light emitting diode;
- 11          a holographic element;
- 12          an optical signal modulator;
- 13          a thermoelectrically cooled laser
- 14          a grating; and
- 15          an array of optical devices.

1           37.    The method of claim 31, wherein the second optical element comprises one of the  
2 following:

- 3           a lens;
- 4           a mirror;
- 5           a collimator;
- 6           a laser;

- 7 a detector;
- 8 an optical fiber;
- 9 a fiber collimator;
- 10 a light emitting diode;
- 11 a holographic element;
- 12 an optical signal modulator;
- 13 a thermoelectrically cooled laser
- 14 a grating; and
- 15 an array of optical devices.

38. The method of claim 31, wherein the first optical element is a first filter and the second optical element is a second filter.

39. The method of claim 38, wherein the first filter is a first reflective notch filter and the second filter a second reflective notch filter.

40. The method of claim 31, further comprising:

(a1) placing at least a third optical element in a third beam path;

(b1) fixing the third optical element in place without substantially compensating for errors in optical alignment;

(c1) placing at least a third OAE in the third beam path; and

(d1) aligning the third beam path to a third desired beam path by adjusting the third



7 OAE, wherein the alignment of the third beam path substantially compensates for cumulative  
8 alignment errors in the third beam path.

1 41. The method of claim 40, wherein the third optical element comprises a third filter.

1 42. The method of claim 41, wherein the third filter is a third reflective notch filter.

1 43. The method of claim 40, further comprising:

2 (a2) placing at least a fourth optical element in a fourth beam path;

3 (b2) fixing the fourth optical element in place without substantially compensating for  
4 errors in optical alignment;

5 (c2) placing at least a fourth OAE in the fourth beam path; and

6 (d2) aligning the fourth beam path to a fourth desired beam path by adjusting the  
7 fourth OAE, wherein the alignment of the fourth beam path substantially compensates for  
8 cumulative alignment errors in the fourth beam path.

1 44. The method of claim 43, wherein the fourth optical element comprises a fourth  
2 filter.

1 45. The method of claim 44, wherein the fourth filter is a fourth reflective notch filter.

1 46. The method of claim 31, wherein the adjusting step (d) comprises:

- 2 (d1) selecting values for a plurality of parameters;
- 3 (d2) adjusting a placement and an orientation of the first OAE in the first beam path
- 4 along a plurality of axes;
- 5 (d3) determining a power level for the first beam path at a location;
- 6 (d4) repeating steps (d2) and (d3) if the power level for the first beam path is not
- 7 approximately a desired power level;
- 8 (d5) adjusting a placement and an orientation of a second OAE in a second beam path
- 9 along the plurality of axes;
- 10 (d6) determining a power level for the second beam path at the location; and
- 11 (d7) repeating steps (d5) and (d6) if the power level for the second beam path is not
- 12 approximately a desired power level.

1 47. The method of claim 39, further comprising:

- 2 (d2i) adjusting a placement and an orientation of a third OAE in a third beam path
- 3 along the plurality of axes;
- 4 (d3i) determining a power level for the third beam path at the location; and
- 5 (d4i) repeating steps (d2i) and (d3i) if the power level for the third beam path is not
- 6 approximately a desired power level.

1 48. The method of claim 47, further comprising:

- 2 (d2ii) adjusting a placement and an orientation of a fourth OAE in a fourth beam path
- 3 along the plurality of axes;

- 4 (d3ii) determining a power level for the fourth beam path at the location; and  
5 (d4ii) repeating steps (d2ii) and (d3ii) if the power level for the fourth beam path is not  
6 approximately a desired power level.

- 1 49. The method of claim 31, further comprising:  
2 (e) fixing the first OAE in the first beam path in place; and  
3 (f) fixing the second OAE in the second beam path in place.

1 50. The method of claim 49, wherein at least one of the fixing steps (e) and (f)  
2 includes epoxy.

1 51. The method of claim 49, wherein at least one of the fixing steps (e) and (f)  
2 includes welding.

1 52. The method of claim 49, wherein at least one of the fixing steps (e) and (f)  
2 includes soldering.

- 1 53. The method of claim 49, further comprising:  
2 (e1) fixing a third OAE in a third beam path in place.

- 1 54. The method of claim 53, further comprising:  
2 (e2) fixing a fourth OAE in a fourth beam path in place.

1           55.    The method of claim 31, comprising:  
2           placing a fifth optical element in the first beam path;  
3           fixing the fifth optical element in place without substantially compensating for errors in at  
4   least one axis of optical alignment;  
5           placing a sixth optical element in the first beam path; and  
6           fixing the sixth optical element in place without substantially compensating for errors in  
7   at least one axis of optical alignment.

1           56.    The method of claim 31, wherein:  
2           the optical device includes a system conforming to an IEEE standard.

1           57.    The method of claim 31, wherein:  
2           the optical device includes a system conforming to an IEEE 802 standard.

1           58.    The method of claim 31, wherein:  
2           the optical device includes a system conforming to one or more of a XAUI, XENPAK  
3   and XGP transceiver standard.

1           59.    A method for aligning a plurality of optical elements in an optical device,  
2   comprising the steps of:  
3           (a)    placing a plurality of optical elements in a plurality of beam paths;  
4           (b)    fixing the plurality of optical elements in place without substantially  
5   compensating for errors in alignment to a location;

- 6 (c) placing a plurality of OAE in the plurality of beam paths; and  
7 (d) attempting to actively align the plurality of OAE to the location, wherein  
8 alignments of the plurality of OAE would substantially compensate for cumulative alignment  
9 errors in the plurality of beam paths.

1 60. The method of claim 59, wherein at least one of the plurality of OAE comprises  
2 two coupled, non-parallel, and non-co-planar surfaces, wherein one or more of the surfaces  
3 comprises a refractive or defractive element.

4  
5  
6  
7  
8  
9  
10  
11  
12  
13  
14  
15  
16  
17  
18  
19  
20  
21  
22  
23  
24  
25  
26  
27  
28  
29  
30  
31  
32  
33  
34  
35  
36  
37  
38  
39  
40  
41  
42  
43  
44  
45  
46  
47  
48  
49  
50  
51  
52  
53  
54  
55  
56  
57  
58  
59  
60  
61  
62  
63  
64  
65  
66  
67  
68  
69  
70  
71  
72  
73  
74  
75  
76  
77  
78  
79  
80  
81  
82  
83  
84  
85  
86  
87  
88  
89  
90  
91  
92  
93  
94  
95  
96  
97  
98  
99  
100  
101  
102  
103  
104  
105  
106  
107  
108  
109  
110  
111  
112  
113  
114  
115  
116  
117  
118  
119  
120  
121  
122  
123  
124  
125  
126  
127  
128  
129  
130  
131  
132  
133  
134  
135  
136  
137  
138  
139  
140  
141  
142  
143  
144  
145  
146  
147  
148  
149  
150  
151  
152  
153  
154  
155  
156  
157  
158  
159  
160  
161  
162  
163  
164  
165  
166  
167  
168  
169  
170  
171  
172  
173  
174  
175  
176  
177  
178  
179  
180  
181  
182  
183  
184  
185  
186  
187  
188  
189  
190  
191  
192  
193  
194  
195  
196  
197  
198  
199  
200  
201  
202  
203  
204  
205  
206  
207  
208  
209  
210  
211  
212  
213  
214  
215  
216  
217  
218  
219  
220  
221  
222  
223  
224  
225  
226  
227  
228  
229  
230  
231  
232  
233  
234  
235  
236  
237  
238  
239  
240  
241  
242  
243  
244  
245  
246  
247  
248  
249  
250  
251  
252  
253  
254  
255  
256  
257  
258  
259  
260  
261  
262  
263  
264  
265  
266  
267  
268  
269  
270  
271  
272  
273  
274  
275  
276  
277  
278  
279  
280  
281  
282  
283  
284  
285  
286  
287  
288  
289  
290  
291  
292  
293  
294  
295  
296  
297  
298  
299  
300  
301  
302  
303  
304  
305  
306  
307  
308  
309  
310  
311  
312  
313  
314  
315  
316  
317  
318  
319  
320  
321  
322  
323  
324  
325  
326  
327  
328  
329  
330  
331  
332  
333  
334  
335  
336  
337  
338  
339  
340  
341  
342  
343  
344  
345  
346  
347  
348  
349  
350  
351  
352  
353  
354  
355  
356  
357  
358  
359  
360  
361  
362  
363  
364  
365  
366  
367  
368  
369  
370  
371  
372  
373  
374  
375  
376  
377  
378  
379  
380  
381  
382  
383  
384  
385  
386  
387  
388  
389  
390  
391  
392  
393  
394  
395  
396  
397  
398  
399  
400  
401  
402  
403  
404  
405  
406  
407  
408  
409  
410  
411  
412  
413  
414  
415  
416  
417  
418  
419  
420  
421  
422  
423  
424  
425  
426  
427  
428  
429  
430  
431  
432  
433  
434  
435  
436  
437  
438  
439  
440  
441  
442  
443  
444  
445  
446  
447  
448  
449  
450  
451  
452  
453  
454  
455  
456  
457  
458  
459  
460  
461  
462  
463  
464  
465  
466  
467  
468  
469  
470  
471  
472  
473  
474  
475  
476  
477  
478  
479  
480  
481  
482  
483  
484  
485  
486  
487  
488  
489  
490  
491  
492  
493  
494  
495  
496  
497  
498  
499  
500  
501  
502  
503  
504  
505  
506  
507  
508  
509  
510  
511  
512  
513  
514  
515  
516  
517  
518  
519  
520  
521  
522  
523  
524  
525  
526  
527  
528  
529  
530  
531  
532  
533  
534  
535  
536  
537  
538  
539  
540  
541  
542  
543  
544  
545  
546  
547  
548  
549  
550  
551  
552  
553  
554  
555  
556  
557  
558  
559  
560  
561  
562  
563  
564  
565  
566  
567  
568  
569  
570  
571  
572  
573  
574  
575  
576  
577  
578  
579  
580  
581  
582  
583  
584  
585  
586  
587  
588  
589  
590  
591  
592  
593  
594  
595  
596  
597  
598  
599  
600  
601  
602  
603  
604  
605  
606  
607  
608  
609  
610  
611  
612  
613  
614  
615  
616  
617  
618  
619  
620  
621  
622  
623  
624  
625  
626  
627  
628  
629  
630  
631  
632  
633  
634  
635  
636  
637  
638  
639  
640  
641  
642  
643  
644  
645  
646  
647  
648  
649  
650  
651  
652  
653  
654  
655  
656  
657  
658  
659  
660  
661  
662  
663  
664  
665  
666  
667  
668  
669  
670  
671  
672  
673  
674  
675  
676  
677  
678  
679  
680  
681  
682  
683  
684  
685  
686  
687  
688  
689  
690  
691  
692  
693  
694  
695  
696  
697  
698  
699  
700  
701  
702  
703  
704  
705  
706  
707  
708  
709  
710  
711  
712  
713  
714  
715  
716  
717  
718  
719  
720  
721  
722  
723  
724  
725  
726  
727  
728  
729  
730  
731  
732  
733  
734  
735  
736  
737  
738  
739  
740  
741  
742  
743  
744  
745  
746  
747  
748  
749  
750  
751  
752  
753  
754  
755  
756  
757  
758  
759  
760  
761  
762  
763  
764  
765  
766  
767  
768  
769  
770  
771  
772  
773  
774  
775  
776  
777  
778  
779  
780  
781  
782  
783  
784  
785  
786  
787  
788  
789  
790  
791  
792  
793  
794  
795  
796  
797  
798  
799  
800  
801  
802  
803  
804  
805  
806  
807  
808  
809  
810  
811  
812  
813  
814  
815  
816  
817  
818  
819  
820  
821  
822  
823  
824  
825  
826  
827  
828  
829  
830  
831  
832  
833  
834  
835  
836  
837  
838  
839  
840  
841  
842  
843  
844  
845  
846  
847  
848  
849  
850  
851  
852  
853  
854  
855  
856  
857  
858  
859  
860  
861  
862  
863  
864  
865  
866  
867  
868  
869  
870  
871  
872  
873  
874  
875  
876  
877  
878  
879  
880  
881  
882  
883  
884  
885  
886  
887  
888  
889  
890  
891  
892  
893  
894  
895  
896  
897  
898  
899  
900  
901  
902  
903  
904  
905  
906  
907  
908  
909  
910  
911  
912  
913  
914  
915  
916  
917  
918  
919  
920  
921  
922  
923  
924  
925  
926  
927  
928  
929  
930  
931  
932  
933  
934  
935  
936  
937  
938  
939  
940  
941  
942  
943  
944  
945  
946  
947  
948  
949  
950  
951  
952  
953  
954  
955  
956  
957  
958  
959  
960  
961  
962  
963  
964  
965  
966  
967  
968  
969  
970  
971  
972  
973  
974  
975  
976  
977  
978  
979  
980  
981  
982  
983  
984  
985  
986  
987  
988  
989  
990  
991  
992  
993  
994  
995  
996  
997  
998  
999  
1000  
1001  
1002  
1003  
1004  
1005  
1006  
1007  
1008  
1009  
1010  
1011  
1012  
1013  
1014  
1015  
1016  
1017  
1018  
1019  
1020  
1021  
1022  
1023  
1024  
1025  
1026  
1027  
1028  
1029  
1030  
1031  
1032  
1033  
1034  
1035  
1036  
1037  
1038  
1039  
1040  
1041  
1042  
1043  
1044  
1045  
1046  
1047  
1048  
1049  
1050  
1051  
1052  
1053  
1054  
1055  
1056  
1057  
1058  
1059  
1060  
1061  
1062  
1063  
1064  
1065  
1066  
1067  
1068  
1069  
1070  
1071  
1072  
1073  
1074  
1075  
1076  
1077  
1078  
1079  
1080  
1081  
1082  
1083  
1084  
1085  
1086  
1087  
1088  
1089  
1090  
1091  
1092  
1093  
1094  
1095  
1096  
1097  
1098  
1099  
1100  
1101  
1102  
1103  
1104  
1105  
1106  
1107  
1108  
1109  
1110  
1111  
1112  
1113  
1114  
1115  
1116  
1117  
1118  
1119  
1120  
1121  
1122  
1123  
1124  
1125  
1126  
1127  
1128  
1129  
1130  
1131  
1132  
1133  
1134  
1135  
1136  
1137  
1138  
1139  
1140  
1141  
1142  
1143  
1144  
1145  
1146  
1147  
1148  
1149  
1150  
1151  
1152  
1153  
1154  
1155  
1156  
1157  
1158  
1159  
1160  
1161  
1162  
1163  
1164  
1165  
1166  
1167  
1168  
1169  
1170  
1171  
1172  
1173  
1174  
1175  
1176  
1177  
1178  
1179  
1180  
1181  
1182  
1183  
1184  
1185  
1186  
1187  
1188  
1189  
1190  
1191  
1192  
1193  
1194  
1195  
1196  
1197  
1198  
1199  
1200  
1201  
1202  
1203  
1204  
1205  
1206  
1207  
1208  
1209  
1210  
1211  
1212  
1213  
1214  
1215  
1216  
1217  
1218  
1219  
1220  
1221  
1222  
1223  
1224  
1225  
1226  
1227  
1228  
1229  
1230  
1231  
1232  
1233  
1234  
1235  
1236  
1237  
1238  
1239  
1240  
1241  
1242  
1243  
1244  
1245  
1246  
1247  
1248  
1249  
1250  
1251  
1252  
1253  
1254  
1255  
1256  
1257  
1258  
1259  
1260  
1261  
1262  
1263  
1264  
1265  
1266  
1267  
1268  
1269  
1270  
1271  
1272  
1273  
1274  
1275  
1276  
1277  
1278  
1279  
1280  
1281  
1282  
1283  
1284  
1285  
1286  
1287  
1288  
1289  
1290  
1291  
1292  
1293  
1294  
1295  
1296  
1297  
1298  
1299  
1300  
1301  
1302  
1303  
1304  
1305  
1306  
1307  
1308  
1309  
1310  
1311  
1312  
1313  
1314  
1315  
1316  
1317  
1318  
1319  
1320  
1321  
1322  
1323  
1324  
1325  
1326  
1327  
1328  
1329  
1330  
1331  
1332  
1333  
1334  
1335  
1336  
1337  
1338  
1339  
1340  
1341  
1342  
1343  
1344  
1345  
1346  
1347  
1348  
1349  
1350  
1351  
1352  
1353  
1354  
1355  
1356  
1357  
1358  
1359  
1360  
1361  
1362  
1363  
1364  
1365  
1366  
1367  
1368  
1369  
1370  
1371  
1372  
1373  
1374  
1375  
1376  
1377  
1378  
1379  
1380  
1381  
1382  
1383  
1384  
1385  
1386  
1387  
1388  
1389  
1390  
1391  
1392  
1393  
1394  
1395  
1396  
1397  
1398  
1399  
1400  
1401  
1402  
1403  
1404  
1405  
1406  
1407  
1408  
1409  
1410  
1411  
1412  
1413  
1414  
1415  
1416  
1417  
1418  
1419  
1420  
1421  
1422  
1423  
1424  
1425  
1426  
1427  
1428  
1429  
1430  
1431  
1432  
1433  
1434  
1435  
1436  
1437  
1438  
1439  
1440  
1441  
1442  
1443  
1444  
1445  
1446  
1447  
1448  
1449  
1450  
1451  
1452  
1453  
1454  
1455  
1456  
1457  
1458  
1459  
1460  
1461  
1462  
1463  
1464  
1465  
1466  
1467  
1468  
1469  
1470  
1471  
1472  
1473  
1474  
1475  
1476  
1477  
1478  
1479  
1480  
1481  
1482  
1483  
1484  
1485  
1486  
1487  
1488  
1489  
1490  
1491  
1492  
1493  
1494  
1495  
1496  
1497  
1498  
1499  
1500  
1501  
1502  
1503  
1504  
1505  
1506  
1507  
1508  
1509  
1510  
1511  
1512  
1513  
1514  
1515  
1516  
1517  
1518  
1519  
1520  
1521  
1522  
1523  
1524  
1525  
1526  
1527  
1528  
1529  
1530  
1531  
1532  
1533  
1534  
1535  
1536  
1537  
1538  
1539  
1540  
1541  
1542  
1543  
1544  
1545  
1546  
1547  
1548  
1549  
1550  
1551  
1552  
1553  
1554  
1555  
1556  
1557  
1558  
1559  
1560  
1561  
1562  
1563  
1564  
1565  
1566  
1567  
1568  
1569  
1570  
1571  
1572  
1573  
1574  
1575  
1576  
1577  
1578  
1579  
1580  
1581  
1582  
1583  
1584  
1585  
1586  
1587  
1588  
1589  
1590  
1591  
1592  
1593  
1594  
1595  
1596  
1597  
1598  
1599  
1600  
1601  
1602  
1603  
1604  
1605  
1606  
1607  
1608  
1609  
1610  
1611  
1612  
1613  
1614  
1615  
1616  
1617  
1618  
1619  
1620  
1621  
1622  
1623  
1624  
1625  
1626  
1627  
1628  
1629  
1630  
1631  
1632  
1633  
1634  
1635  
1636  
1637  
1638  
1639  
1640  
1641  
1642  
1643  
1644  
1645  
1646  
1647  
1648  
1649  
1650  
1651  
1652  
1653  
1654  
1655  
1656  
1657  
1658  
1659  
1660  
1661  
1662  
1663  
1664  
1665  
1666  
1667  
1668  
1669  
1670  
1671  
1672  
1673  
1674  
1675  
1676  
1677  
1678  
1679  
1680  
1681  
1682  
1683  
1684  
1685  
1686  
1687  
1688  
1689  
1690  
1691  
1692  
1693  
1694  
1695  
1696  
1697  
1698  
1699  
1700  
1701  
1702  
1703  
1704  
1705  
1706  
1707  
1708  
1709  
1710  
1711  
1712  
1713  
1714  
1715  
1716  
1717  
1718  
1719  
1720  
1721  
1722  
1723  
1724  
1725  
1726  
1727  
1728  
1729  
1730  
1731  
1732  
1733  
1734  
1735  
1736  
1737  
1738  
1739  
1740  
1741  
1742  
1743  
1744  
1745  
1746  
1747  
1748  
1749  
1750  
1751  
1752  
1753  
1754  
1755  
1756  
1757  
1758  
1759  
1760  
1761  
1762  
1763  
1764  
1765  
1766  
1767  
1768  
1769  
1770  
1771  
1772  
1773  
1774  
1775  
1776  
1777  
1778  
1779  
1780  
1781  
1782  
1783  
1784  
1785  
1786  
1787  
1788  
1789  
1790  
1791  
1792  
1793  
1794  
1795  
1796  
1797  
1798  
1799  
1800  
1801  
1802  
1803  
1804  
1805  
1806  
1807  
1808  
1809  
1810  
1811  
1812  
1813  
1814  
1815  
1816  
1817  
1818  
1819  
1820  
1821  
1822  
1823  
1824  
1825  
1826  
1827  
1828  
1829  
1830  
1831  
1832  
1833  
1834  
1835  
1836  
1837  
1838  
1839  
1840  
1841  
1842  
1843  
1844  
1845  
1846  
1847  
1848  
1849  
1850  
1851  
1852  
1853  
1854  
1855  
1856  
1857  
1858  
1859  
1860  
1861  
1862  
1863  
1864  
1865  
1866  
1867  
1868  
1869  
1870  
1871  
1872  
1873  
1874  
1875  
1876  
1877  
1878  
1879  
1880  
1881  
1882  
1883  
1884  
1885  
1886  
1887  
1888  
1889  
1890  
1891  
1892  
1893  
1894  
1895  
1896  
1897  
1898  
1899  
1900  
1901  
1902  
1903  
1904  
1905  
1906  
1907  
1908  
1909  
1910  
1911  
1912  
1913  
1914  
1915  
1916  
1917  
1918  
1919  
1920  
1921  
1922  
1923  
1924  
1925  
1926  
1927  
1928  
1929  
1930  
1931  
1932  
1933  
1934  
1935  
1936  
1937  
1938  
1939  
1940  
1941  
1942  
1943  
1944  
1945  
1946  
1947  
1948  
1949  
1950  
1951  
1952  
1953  
1954  
1955  
1956  
1957  
1958  
1959  
1960  
1961  
1962  
1963  
1964  
1965  
1966  
1967  
1968  
1969  
1970  
1971  
1972  
1973  
1974  
1975  
1976  
1977  
1978  
1979  
1980  
1981  
1982  
1983  
1984  
1985  
1986  
1987  
1988  
1989  
1990  
1991  
1992  
1993  
1994  
1995  
1996  
1997  
1998  
1999  
2000  
2001  
2002  
2003  
2004  
2005  
2006  
2007  
2008  
2009  
2010  
2011  
2012  
2013  
2014  
2015  
2016  
2017  
2018  
2019  
2020  
2021  
2022  
2023  
2024  
2025  
2026  
2027  
2028  
2029  
2030  
2031  
2032  
2033  
2034  
2035  
2036  
2037  
2038  
2039  
2040  
2041  
2042  
2043  
2044  
2045  
2046  
2047  
2048  
2049  
2050  
2051  
2052  
2053  
2054  
2055  
2056  
2057  
2058  
2059  
2060  
2061  
2062  
2063  
2064  
2065  
2066  
2067  
2068  
2069  
2070  
2071  
2072  
2073  
2074  
2075  
2076  
2077  
2078  
2079  
2080  
2081  
2082  
2083  
2084  
2085  
2086  
2087  
2088  
2089  
2090  
2091  
2092  
2093  
2094  
2095  
2096  
2097  
2098  
2099  
2100  
2101  
2102  
2103  
2104  
2105  
2106  
2107  
2108  
2109  
2110  
2111  
2112  
2113  
2114  
2115  
2116  
2117  
2118  
2119  
2120  
2121  
2122  
2123  
2124  
2125  
2126  
2127  
2128  
2129  
2130  
2131  
2132  
2133  
2134  
2135  
2136  
2137  
2138  
2139  
2140  
2141  
2142  
2143  
2144  
2145  
2146  
2147  
2148  
2149  
2150  
2151  
2152  
2153  
2154  
2155  
2156  
2157  
2158  
2159  
2160  
2161  
2162  
2163  
2164  
2165  
2166  
2167  
2168  
2169  
2170  
2171  
2172  
2173  
2174  
2175  
2176  
2177  
2178  
2179  
2180  
2181  
2182  
2183  
2184  
2185  
2186  
2187  
2188  
2189  
2190  
2191  
2192  
2193  
2194  
2195  
2196  
2197  
2198  
2199  
2200  
2201  
2202  
2203  
2204  
2205  
2206  
2207  
2208  
2209  
2210  
2211  
2212  
2213  
22

- 10 a light emitting diode;
- 11 a holographic element;
- 12 an optical signal modulator;
- 13 a thermoelectrically cooled laser
- 14 a grating; and
- 15 an array of optical devices.

1 63. The method of claim 59, wherein the placing step (a) comprises:

2 (a1) placing at least a first optical element in the first beam path and at least a second  
3 optical element in the second beam path;

4 (b1) fixing the first optical element and the second optical element in place without  
5 substantially compensating for errors in optical alignment;

6 (c1) placing at least a first OAE in the first beam path and at least a second OAE in the  
7 second beam path; and

8 (d1) aligning the first beam path to a first desired beam path by adjusting the first OAE  
9 and aligning the second beam path to a second desired beam path by adjusting the second OAE,  
10 wherein the alignment of the first beam path substantially compensates for alignment errors in  
11 the first beam path, wherein the alignment of the second beam path substantially compensates for  
12 alignment errors in the second beam path.

1 64. The method of claim 63, wherein the first optical element is a first filter and the  
2 second optical element is a second filter.

1           65.    The method of claim 64, wherein the first filter is a first reflective notch filter and  
2 the second filter a second reflective notch filter.

1           66.    The method of claim 63, further comprising:  
2           (a2)   placing at least a third optical element in a third beam path;  
3           (b2)   fixing the third optical element in place without substantially compensating for  
4 errors in optical alignment;  
5           (c2)   placing at least a third OAE in the third beam path; and  
6           (d2)   aligning the third beam path to a third desired beam path by adjusting the third  
7 OAE, wherein the alignment of the third beam path substantially compensates for cumulative  
8 alignment errors in the third beam path.

67.    The method of claim 66, wherein the third optical element comprises a third filter.

68.    The method of claim 67, wherein the third filter is a third reflective notch filter.

1           69.    The method of claim 66, further comprising:  
2           (a3)   placing at least a fourth optical element in a fourth beam path;  
3           (b3)   fixing the fourth optical element in place without substantially compensating for  
4 errors in optical alignment;  
5           (c3)   placing at least a fourth OAE in the fourth beam path; and  
6           (d3)   aligning the fourth beam path to a fourth desired beam path by adjusting the

7 fourth OAE, wherein the alignment of the fourth beam path substantially compensates for  
8 cumulative alignment errors in the fourth beam path.

1 70. The method of claim 69, wherein the fourth optical element comprises a fourth  
2 filter.

1 71. The method of claim 70, wherein the fourth filter is a fourth reflective notch filter.

1 72. The method of claim 59, wherein the adjusting step (d) comprises:

2 (d1) selecting values for a plurality of parameters;

3 (d2) adjusting a placement and an orientation of a first OAE in a first beam path along  
4 a plurality of axes;

5 (d3) determining a power level for the first beam path at a location;

6 (d4) repeating steps (d2) and (d3) if the power level for the first beam path is not  
7 approximately a desired power level;

8 (d5) adjusting a placement and an orientation of a second OAE in a second beam path  
9 along the plurality of axes;

10 (d6) determining a power level for the second beam path at the location; and

11 (d7) repeating steps (d5) and (d6) if the power level for the second beam path is not  
12 approximately a desired power level.

1 73. The method of claim 72, further comprising:



2 (d2i) adjusting a placement and an orientation of a third OAE in a third beam path  
3 along the plurality of axes;  
4 (d3i) determining a power level for the third beam path at the location; and  
5 (d4i) repeating steps (d2i) and (d3i) if the power level for the third beam path is not  
6 approximately a desired power level.

1 74. The method of claim 73, further comprising:

2 (d2ii) adjusting a placement and an orientation of a fourth OAE in a fourth beam path  
3 along the plurality of axes;  
4 (d3ii) determining a power level for the fourth beam path at the location; and  
5 (d4ii) repeating steps (d2ii) and (d3ii) if the power level for the fourth beam path is not  
6 approximately a desired power level.

1 75. The method of claim 59, further comprising:

2 (e) fixing a first OAE in a first beam path in place; and  
3 (f) fixing a second OAE in a second beam path in place.

1 76. The method of claim 75, wherein at least one of the fixing steps (e) and (f)  
2 includes epoxying.

1 77. The method of claim 75, wherein at least one of the fixing steps (e) and (f)  
2 includes welding.

1           78.    The method of claim 75, wherein at least one of the fixing steps (e) and (f)  
2 includes soldering.

1           79.    The method of claim 75, further comprising:  
2           (e1)   fixing a third OAE in a third beam path in place.

1           80.    The method of claim 79, further comprising:  
2           (e2)   fixing a fourth OAE in a fourth beam path in place.

81.    The method of claim 59, wherein:  
the optical device includes a system conforming to an IEEE standard.

82.    The method of claim 59, wherein:  
the optical device includes a system conforming to an IEEE 802 standard.

1           83.    The method of claim 59, wherein:  
2           the optical device includes a system conforming to one or more of a XAUI, XENPAK  
3 and XGP transceiver standard.

1           84.    A method for aligning a plurality of optical elements in an optical device,  
2 comprising the steps of:  
3           (a)    placing at least a first optical element in a first beam path;  
4           (b)    fixing the first optical element in place without substantially compensating for  
5 errors in optical alignment; and  
6           (d)    step for aligning the first beam path to a first desired beam path, wherein the  
7 alignment of the first beam path substantially compensates for cumulative alignment errors in the  
8 first beam path.

85.    The method of claim 84, wherein:  
the optical device includes a system conforming to an IEEE standard.

86.    The method of claim 84, wherein:  
the optical device includes a system conforming to an IEEE 802 standard.

1           87.    The method of claim 84, wherein:  
2           the optical device includes a system conforming to one or more of a XAUI, XENPAK  
3 and XGP transceiver standard.

## ABSTRACT

An improved method for aligning a plurality of optical elements in an optical device, includes: placing at least one optical element in a beam path; fixing the optical element in place without substantially compensating for errors in optical alignment; placing at least a one optical alignment element (OAE) in the beam path; and aligning the beam path to a desired beam path  
5 by adjusting the OAE. The alignment of the beam path substantially compensates for cumulative alignment errors in the beam path. The method increases the ease of manufacturing of optical devices and lowers the cost of manufacturing. The tolerances of the placement of optical elements are increased, and the optical element does not need special features for alignment.

Patent for alignment

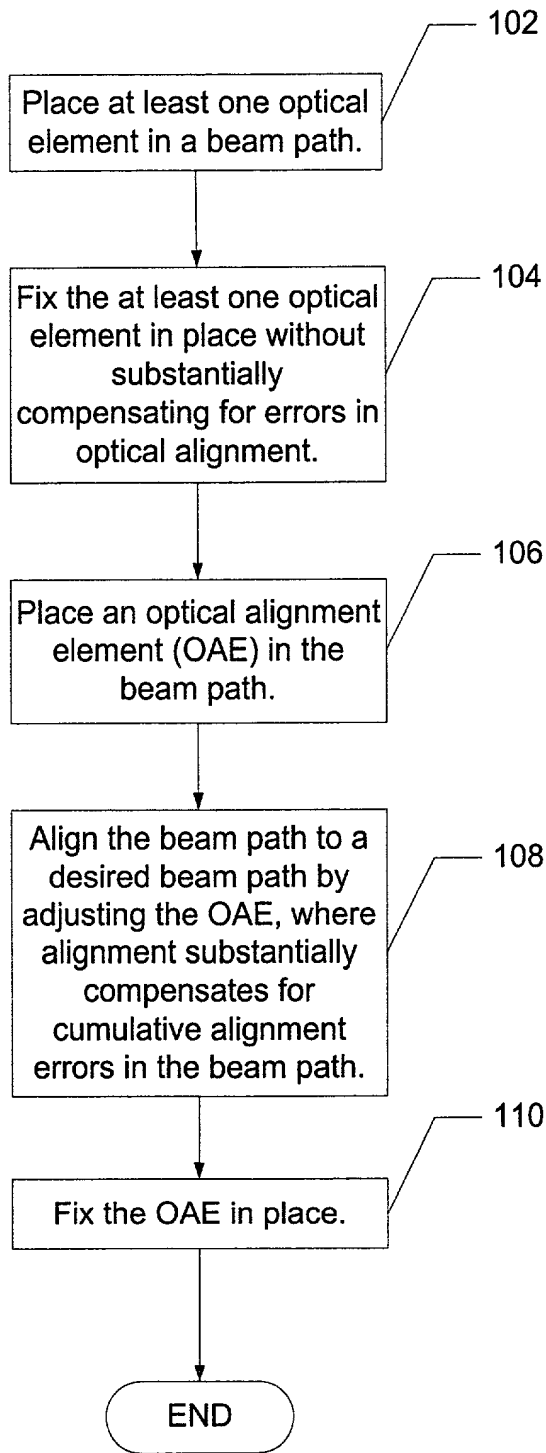


FIG. 1

404204291660

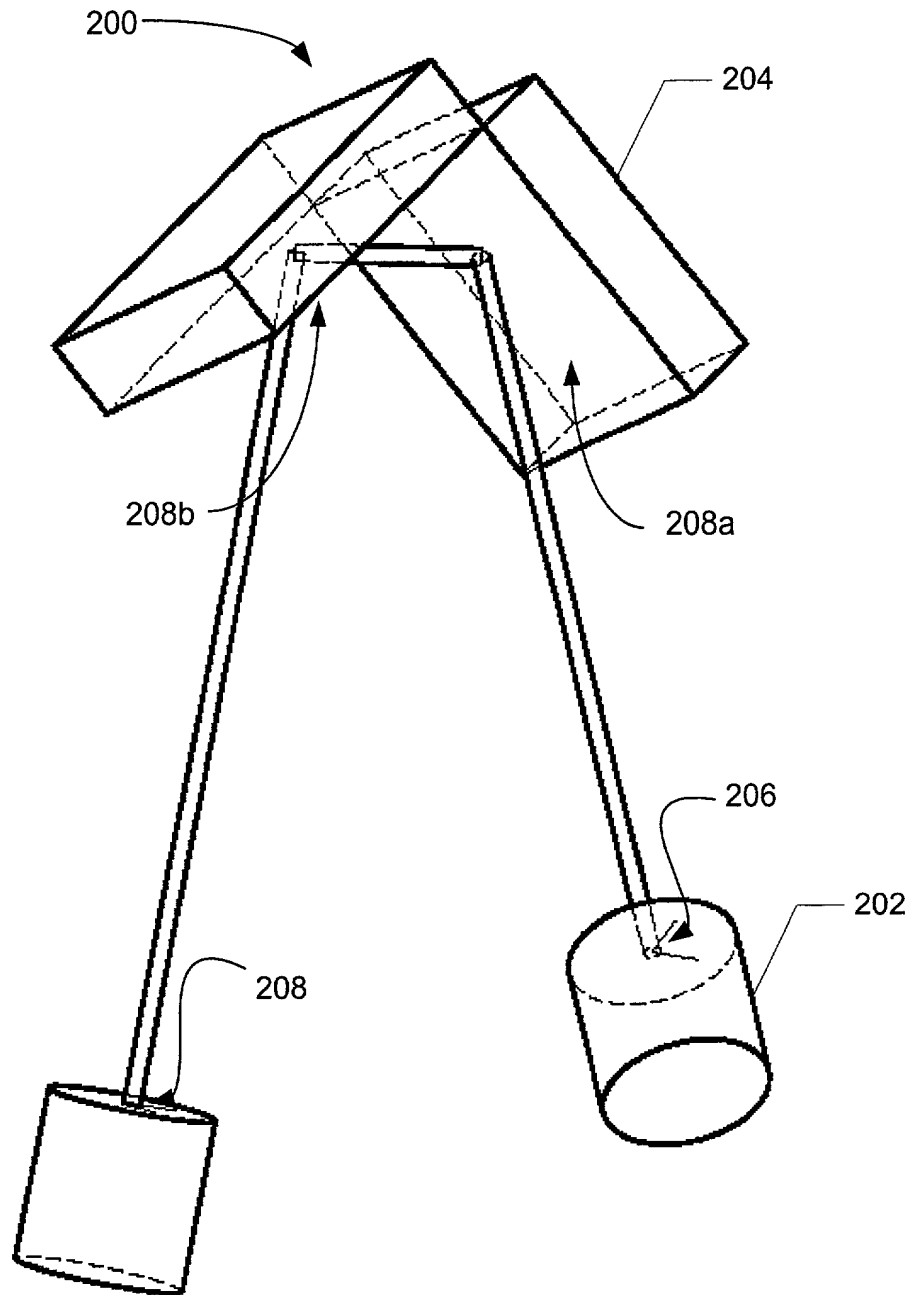


FIG. 2

FOR 2020-4291660

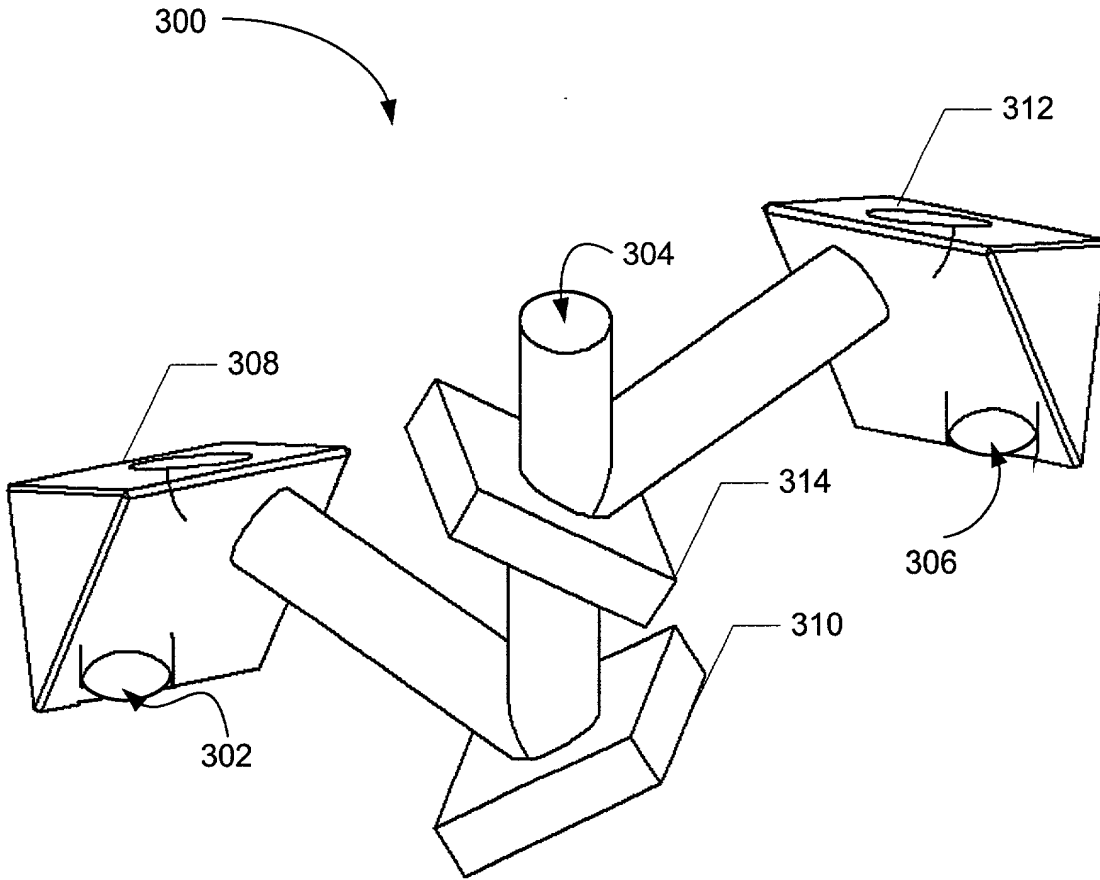


FIG. 3

FIG. 3

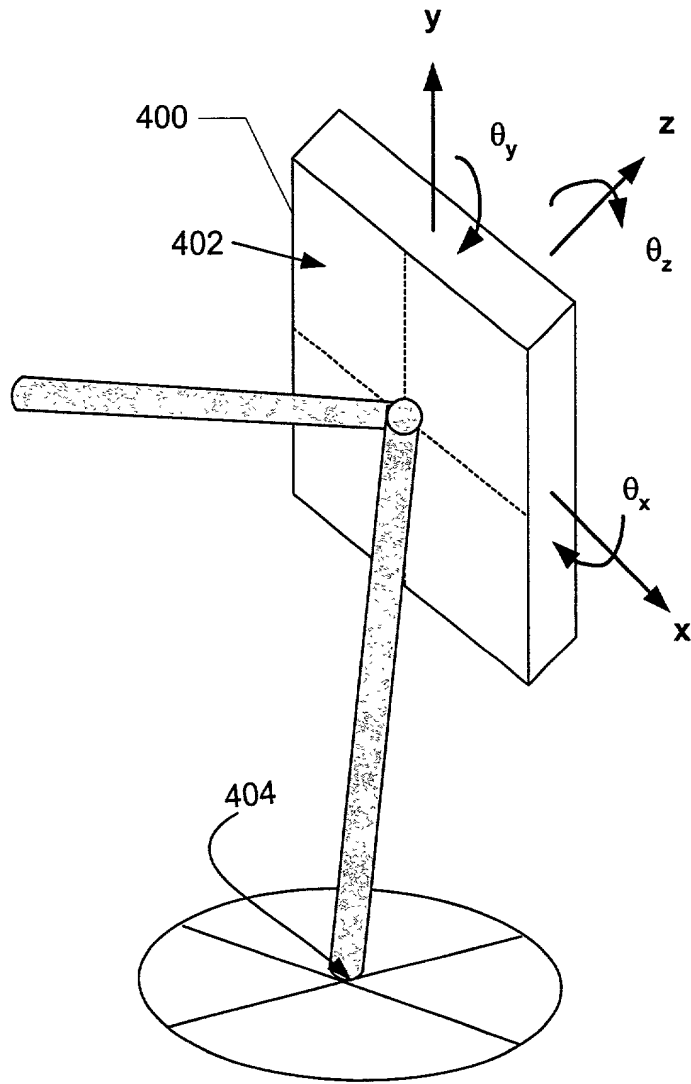


FIG. 4

FOR 404 402 400



FIG. 5

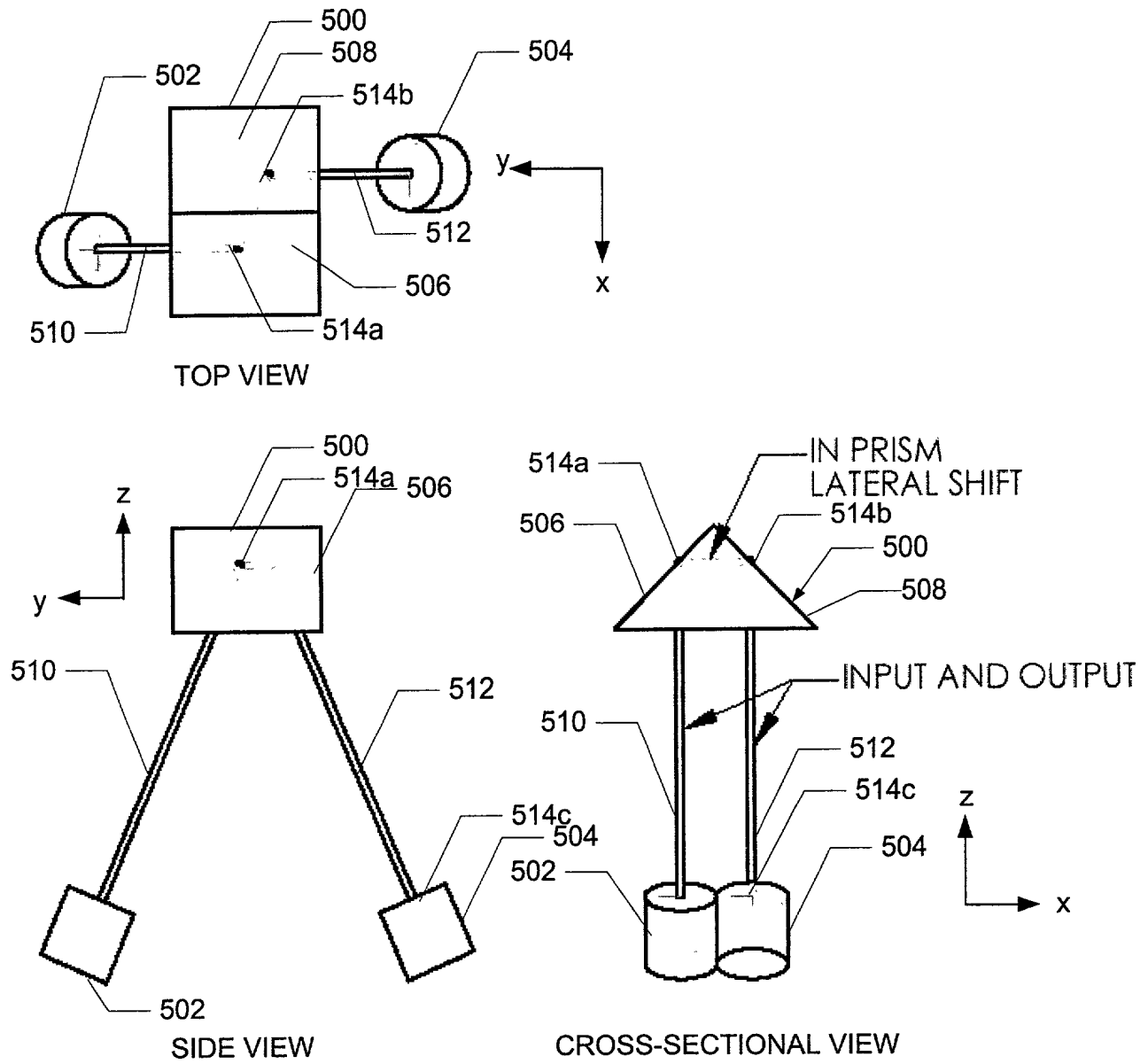


FIG. 5

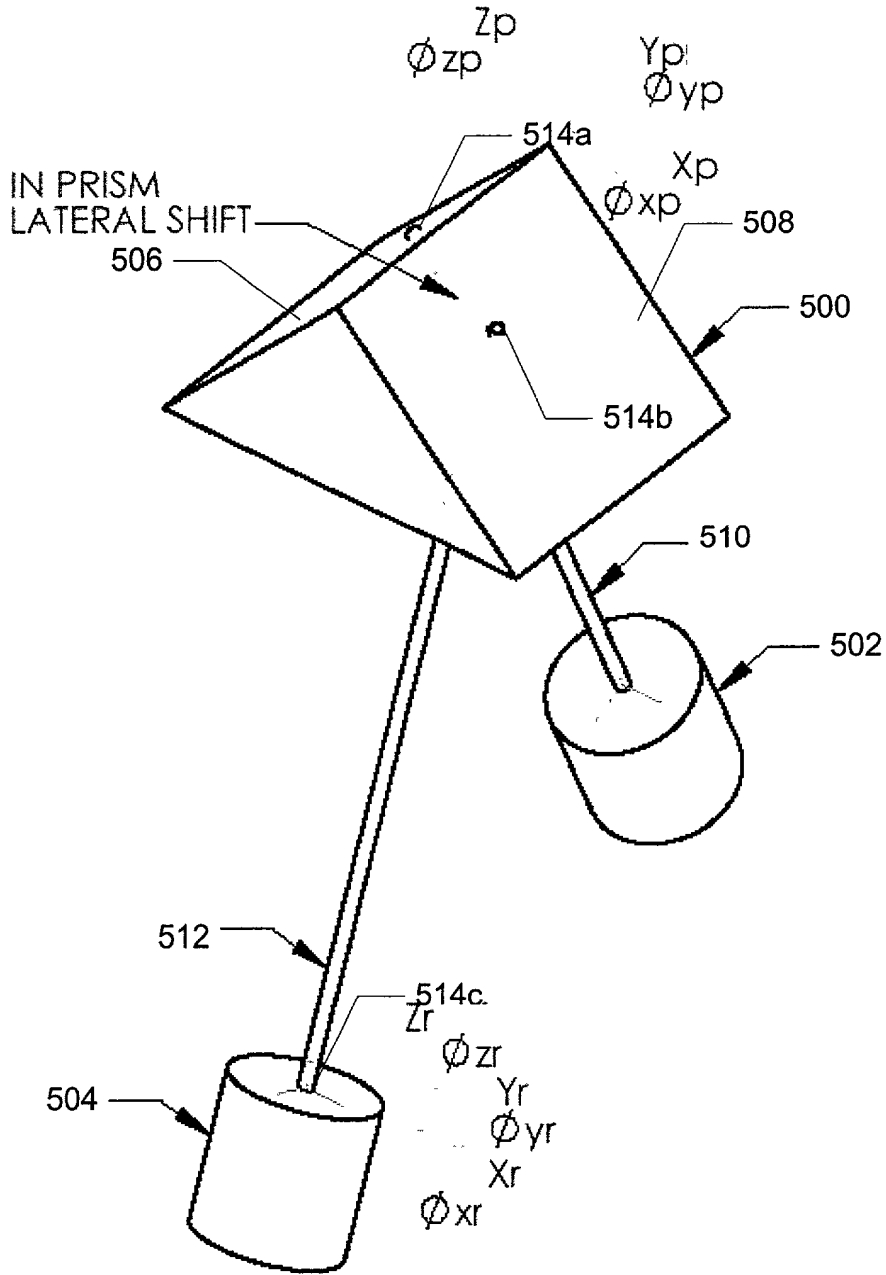


FIG. 6

FIG. 6

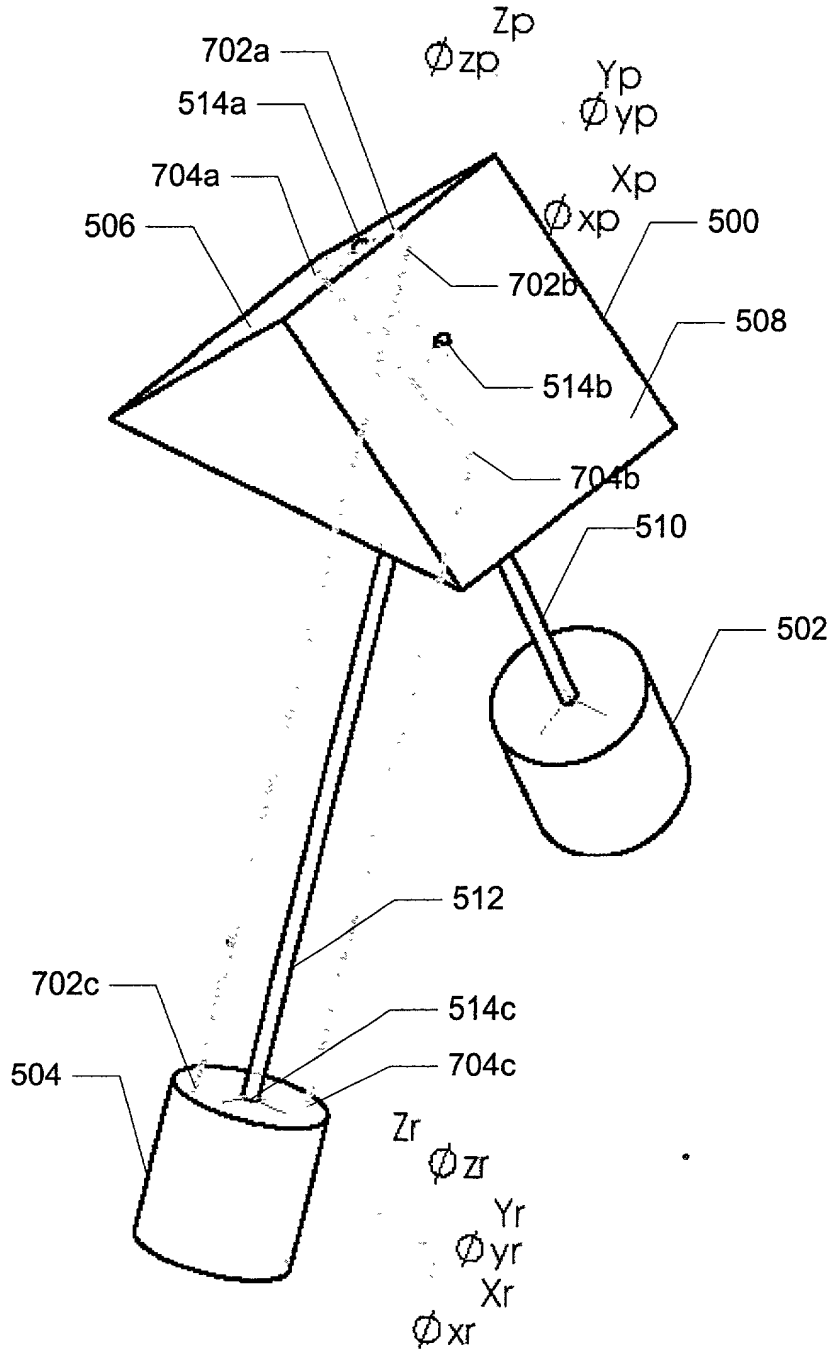


FIG. 7

8/22

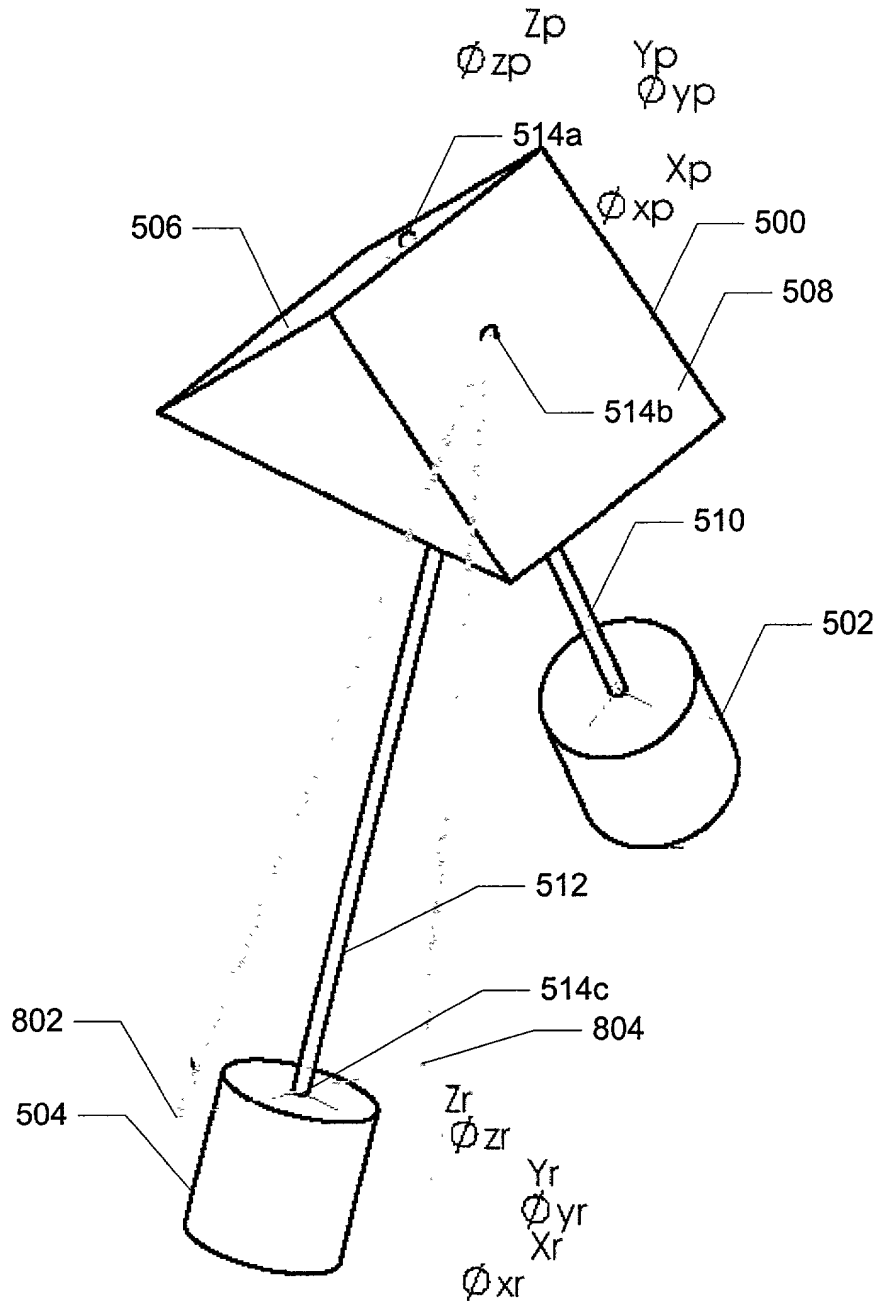


FIG. 8

10/22/2014 12:59:56

9/22

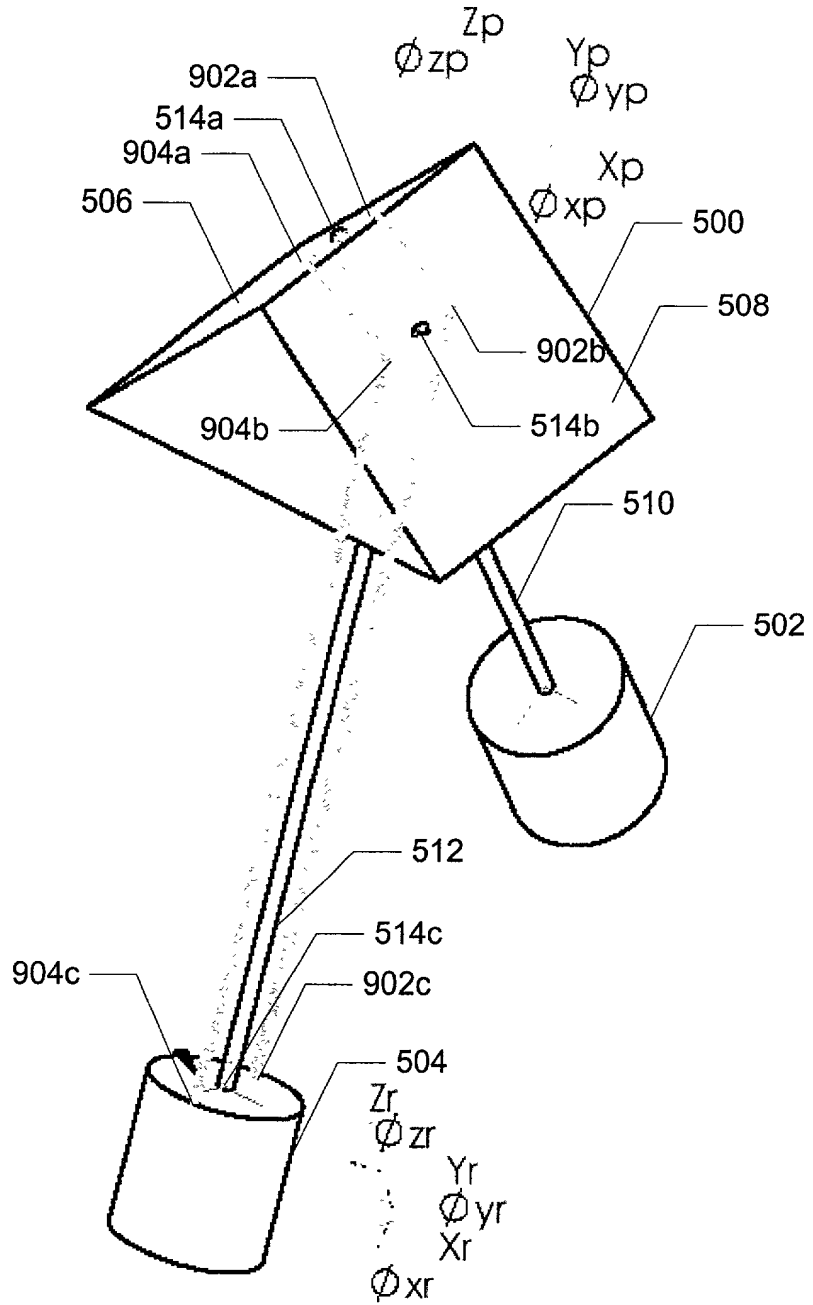


FIG. 9

FOIA b 7 - EXEMPT



FIG. 11

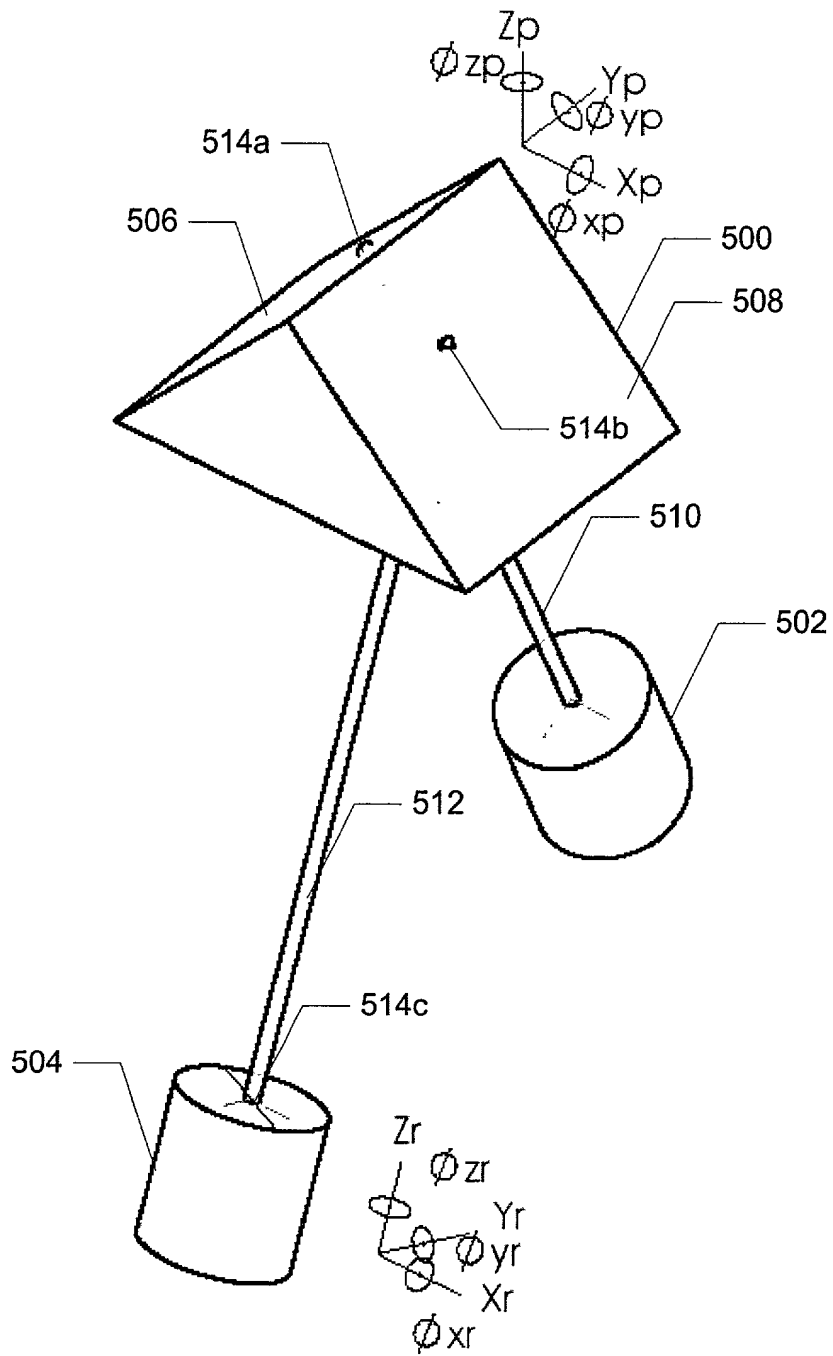


FIG. 11

12/22

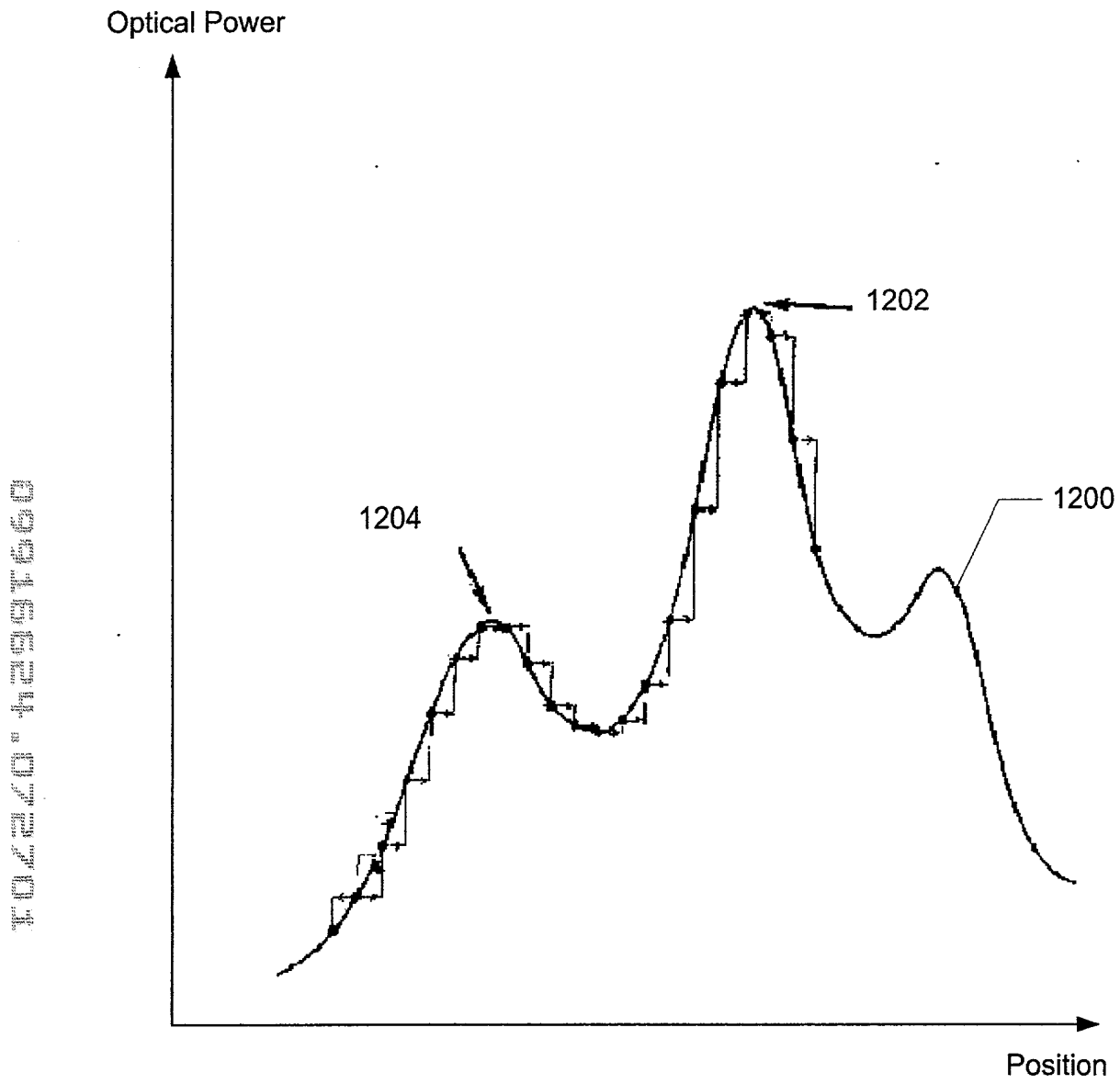


FIG. 12



13/22

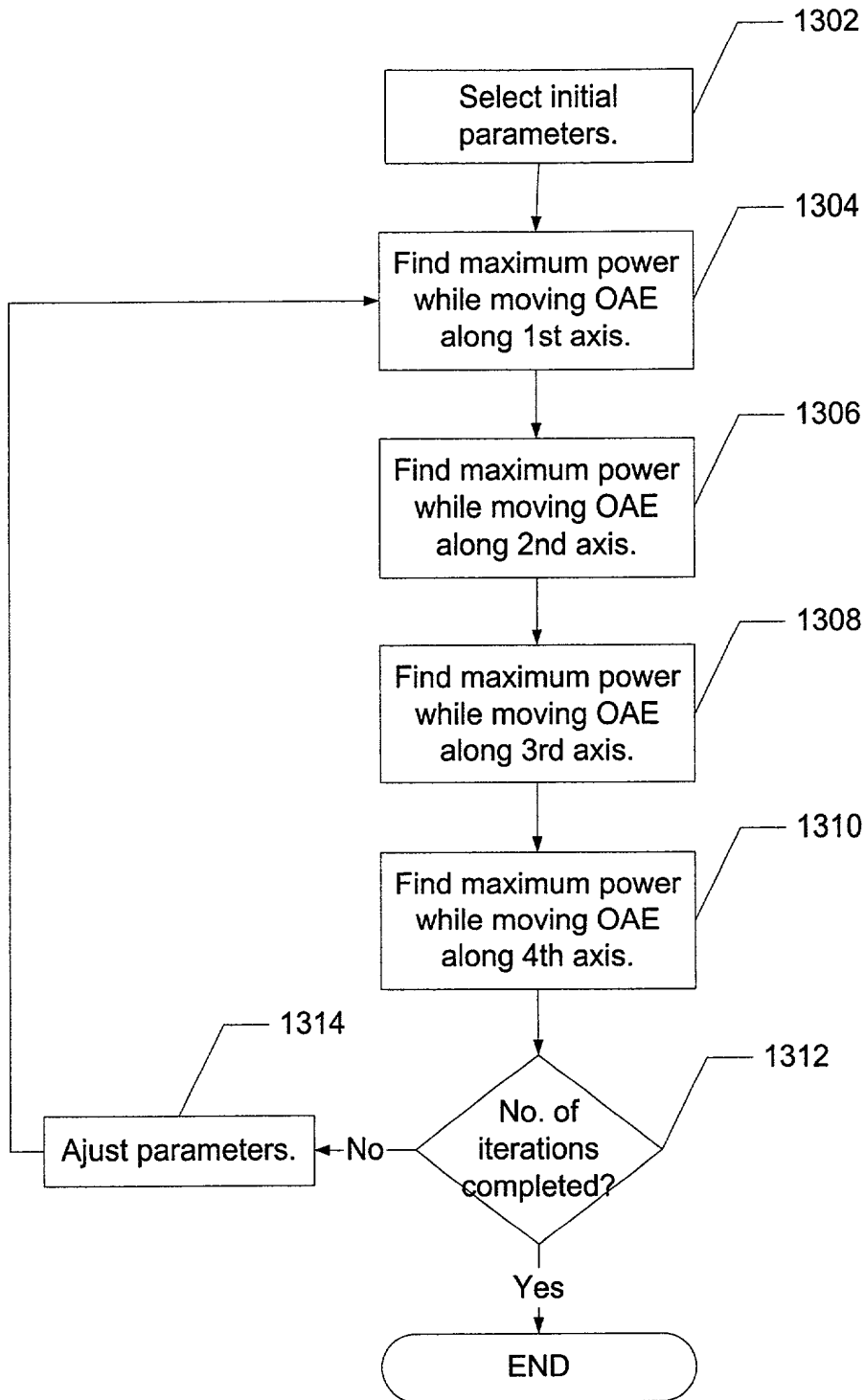


FIG. 13

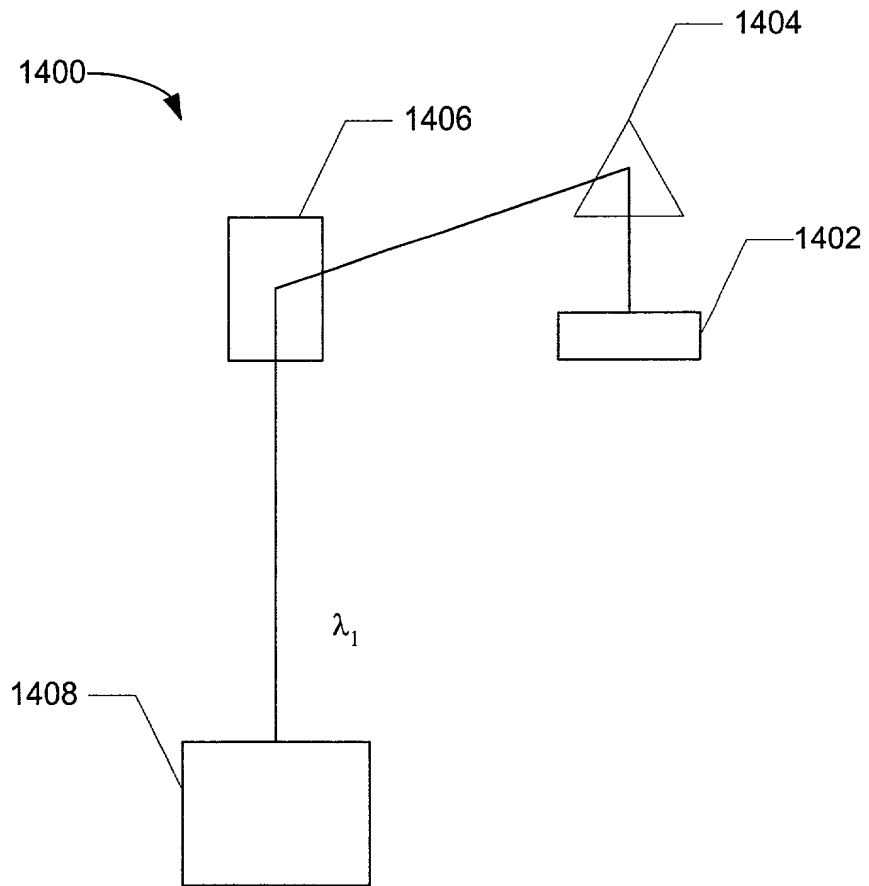


FIG. 14

FIG. 14

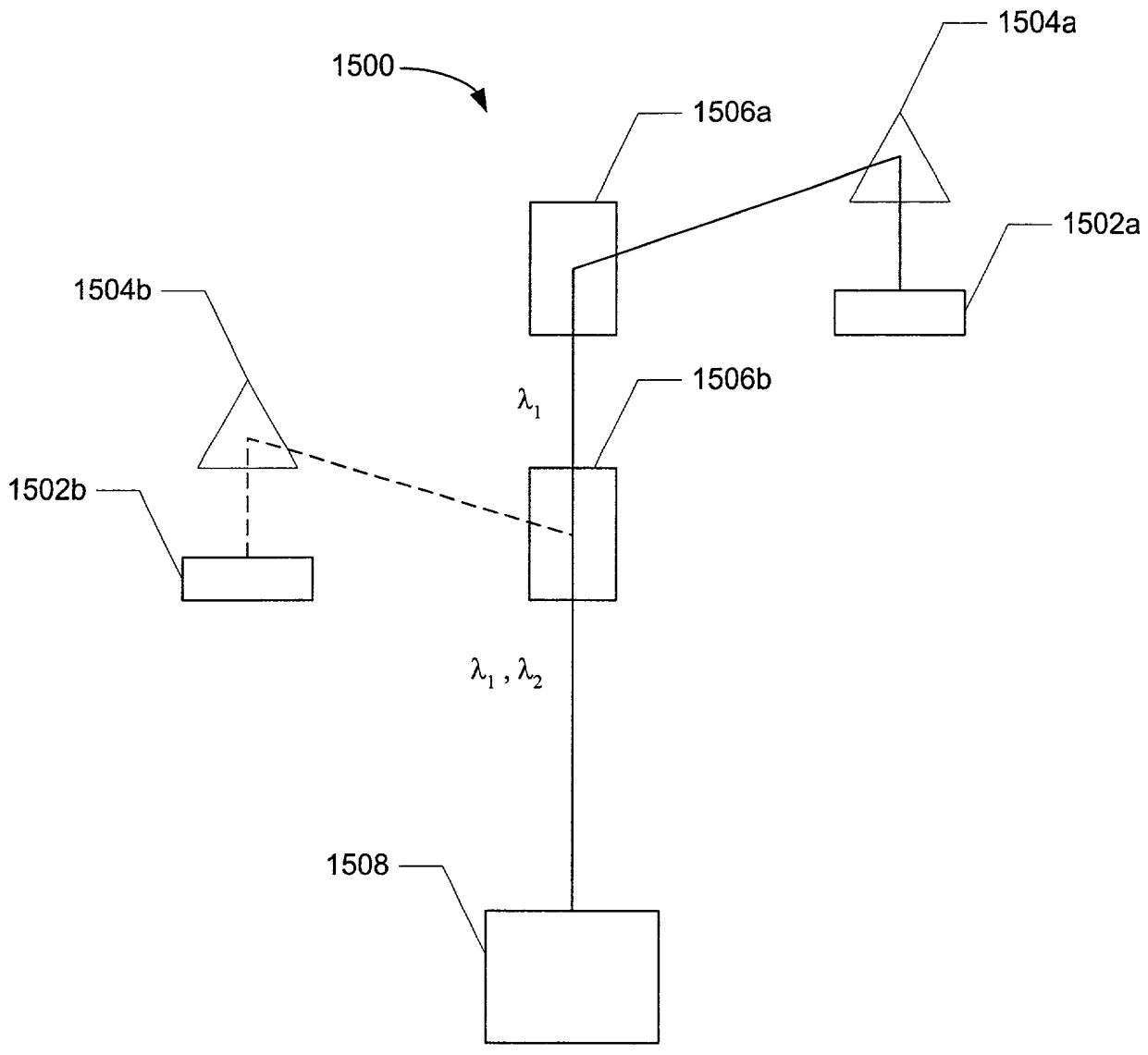


FIG. 15

FOR PUBLICATION

16/22

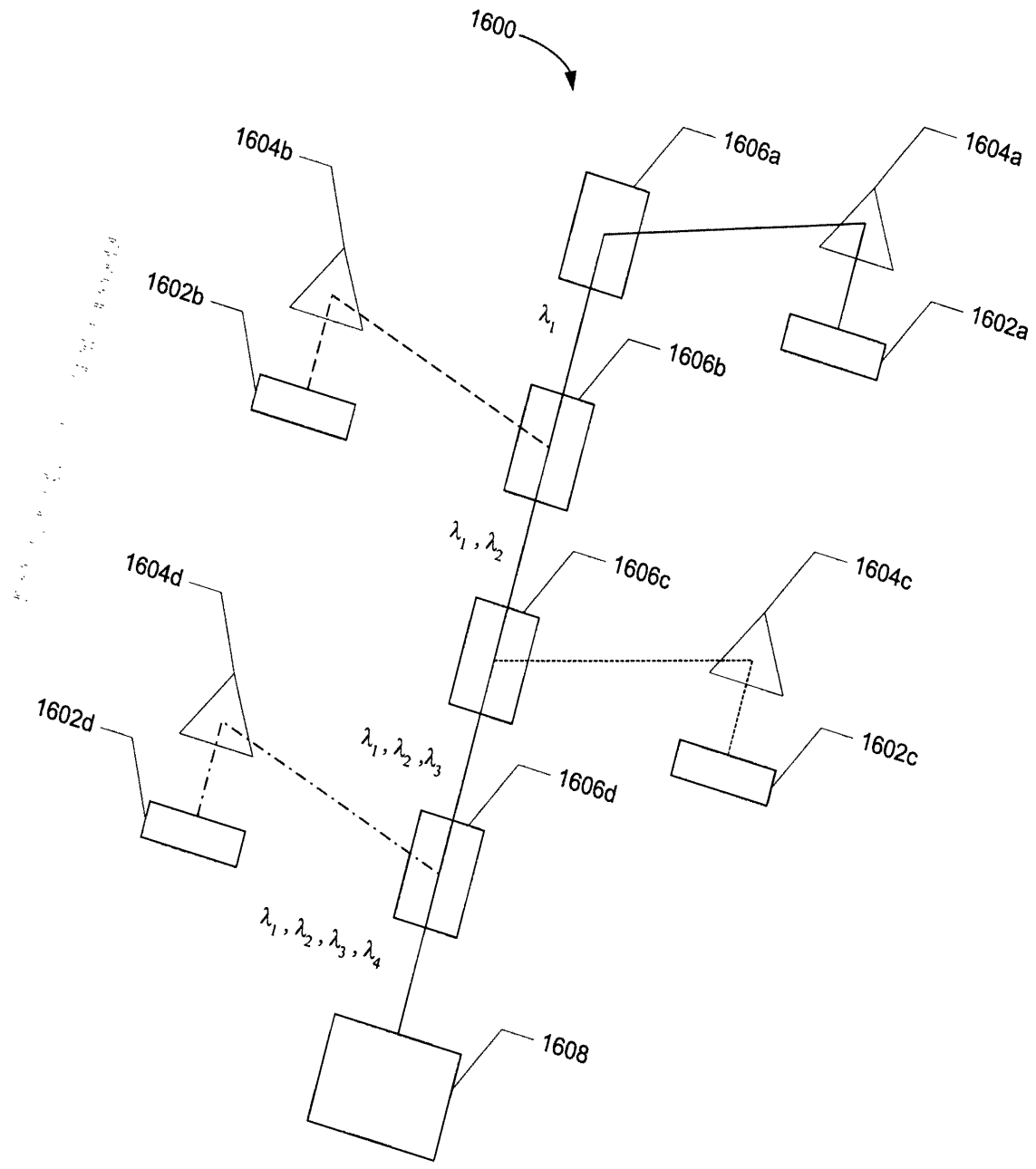


FIG. 16

17/22

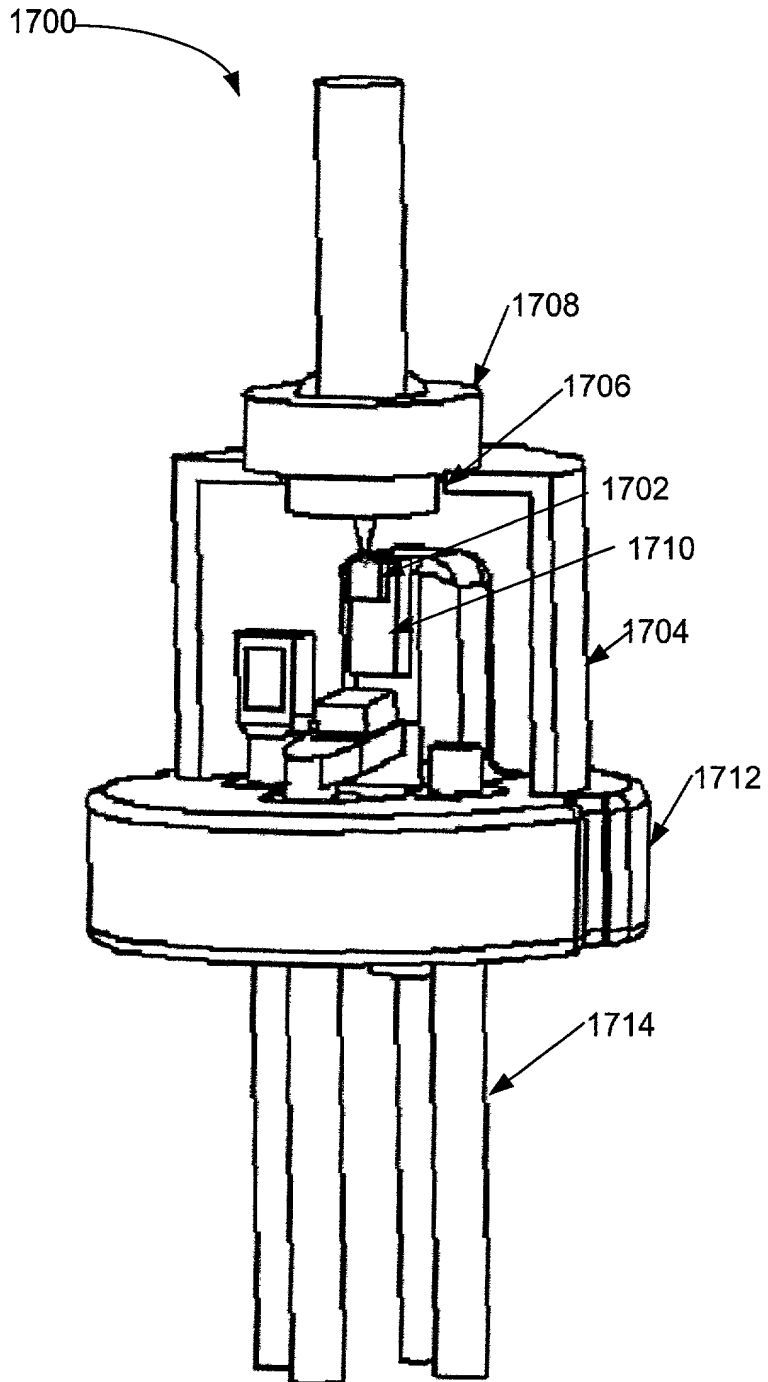


FIG. 17

18/22

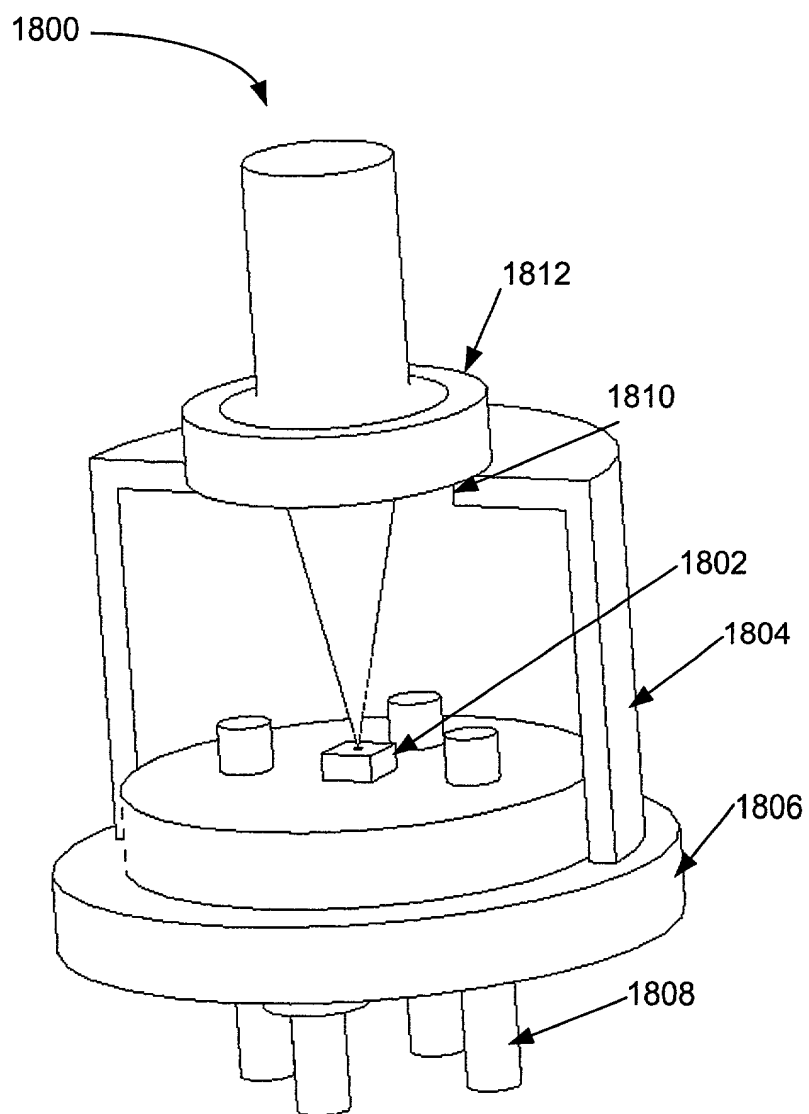


FIG. 18

FOR "429160"

FIG. 19

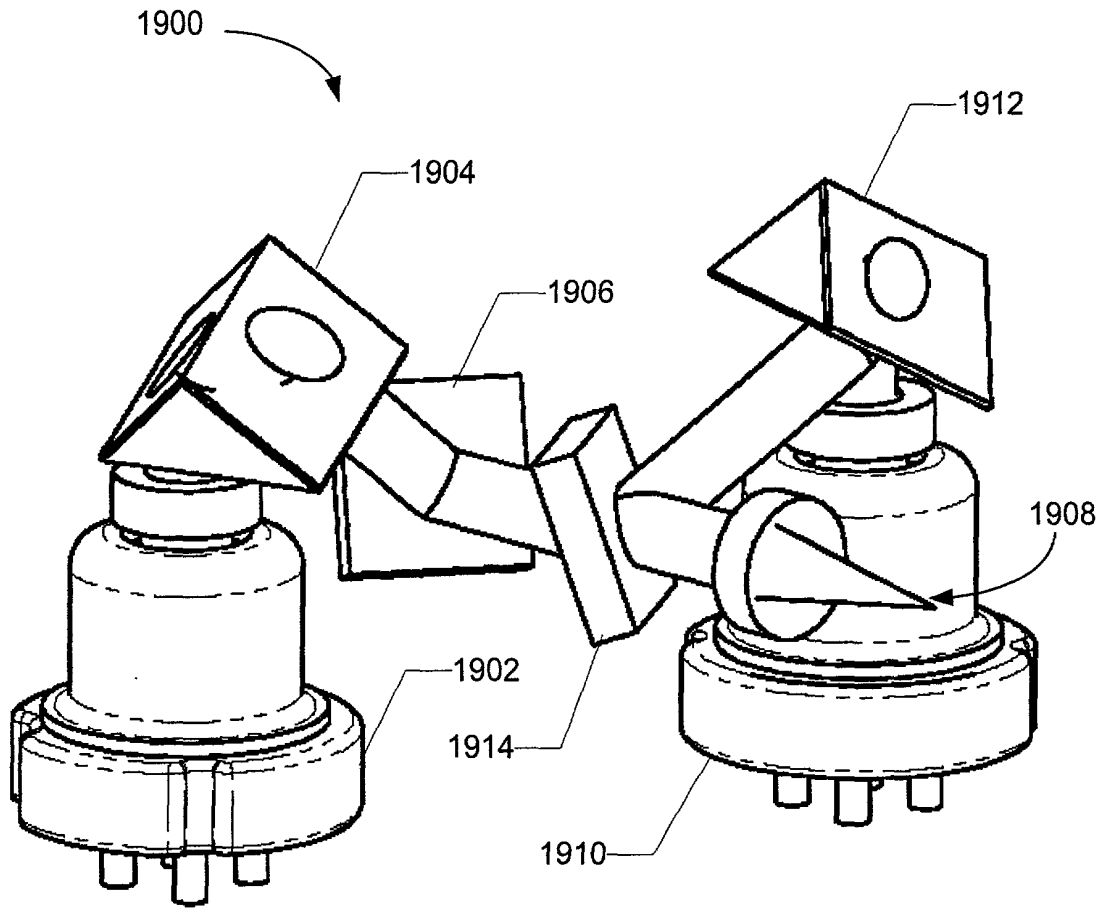


FIG. 19

20/22

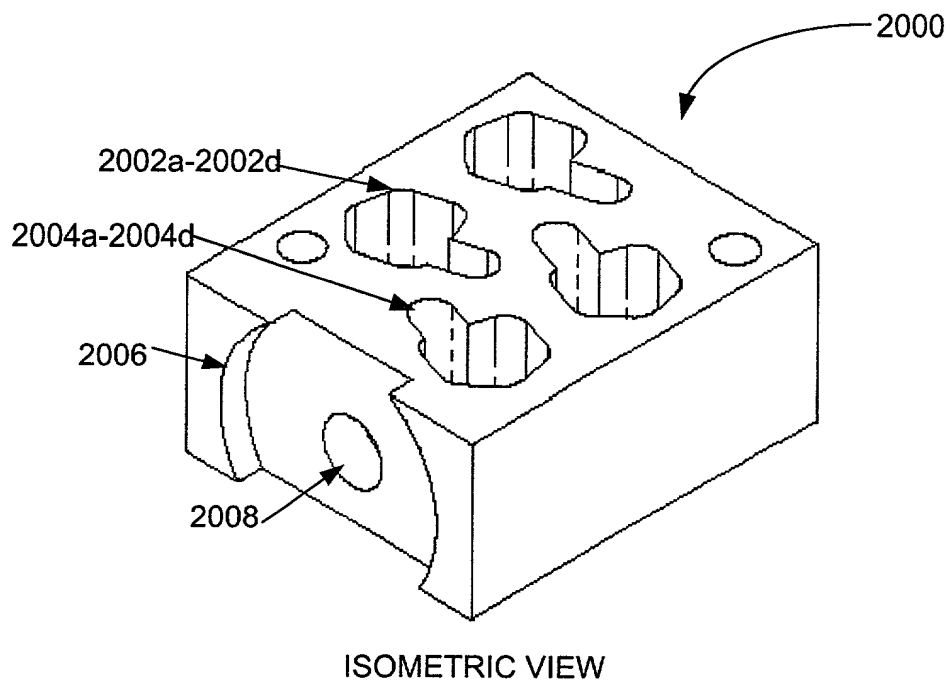
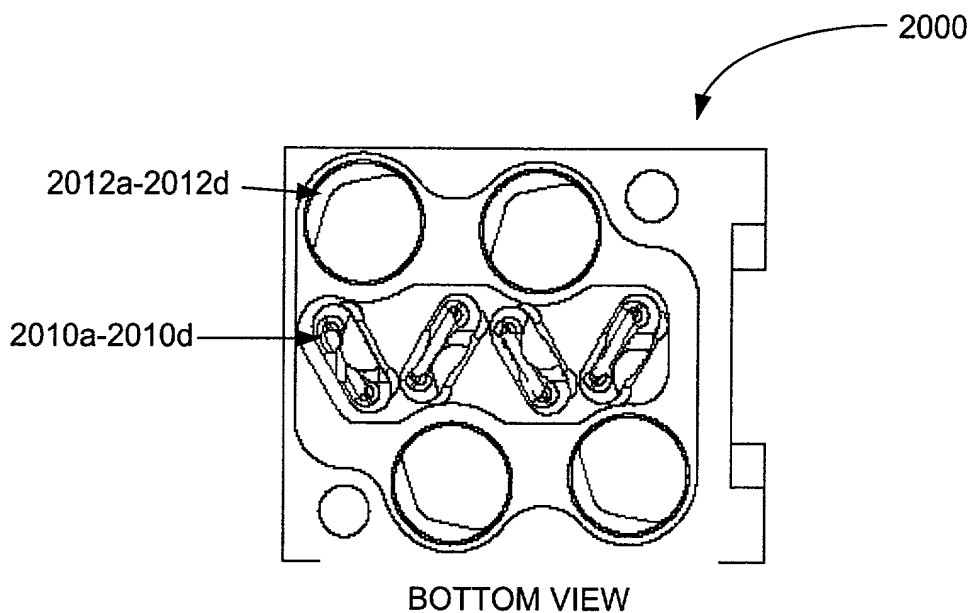


FIG. 20



21/22

*FIG. 21*

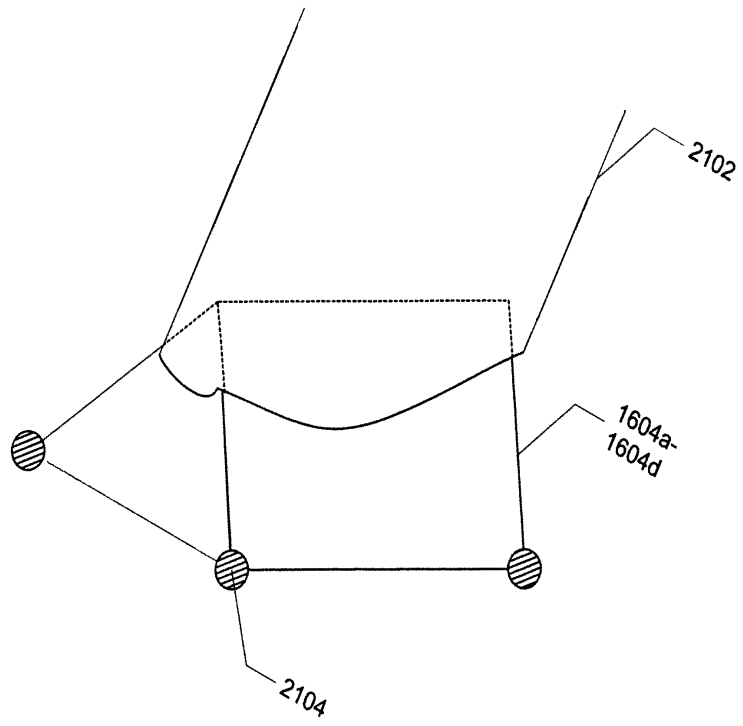


FIG. 21

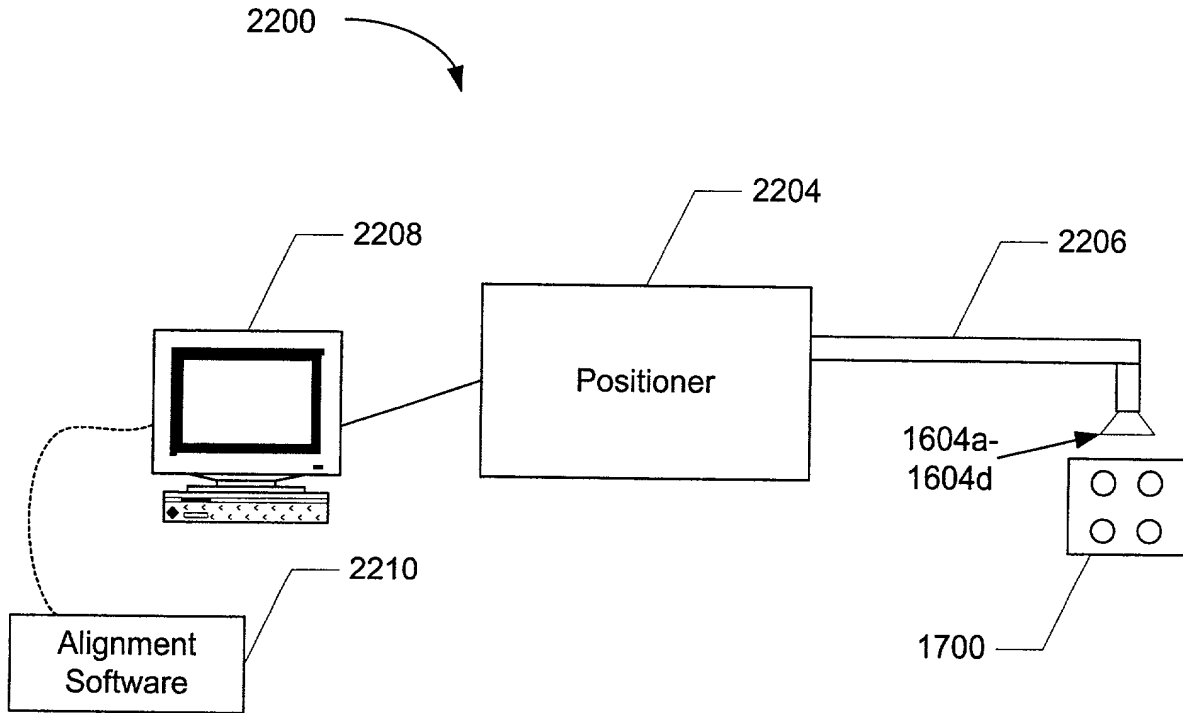


FIG. 22

FIG. 22

DECLARATION AND POWER OF ATTORNEY FOR UTILITY PATENT APPLICATION

As below named inventors, we hereby declare that:

Our residence, post office address and citizenship are as stated below, next to our names,

We believe that we are the first and joint inventors (if plural names are listed below) of the subject matter which is claimed and for which a patent is sought on the invention entitled

**OPTICAL ALIGNMENT ELEMENT METHOD**

the specification of which

X is attached hereto.

\_\_\_ was filed on \_\_\_\_\_.

We hereby state that we have reviewed and understand the contents of the above-identified specification, including the claims, as amended by any amendment referred to above. We do not know and do not believe that the same was ever known or used in the United States of America before my invention thereof, or patented or described in any printed publication in any country before my invention thereof or more than one year prior to this application, that the same was not in public use or on sale in the United States of America more than one year prior to this application, and said invention has not been patented or made the subject of an inventor's certificate issued before the date of this application in any country foreign to the United States of America on an application filed by me or my legal representatives or assigns more than twelve months prior to this application.

We acknowledge the duty to disclose information which is material to the examination of this application in accordance with Title 37, Code of Federal Regulations, Section 1.56 (a).

We hereby claim foreign priority benefits under Title 35, United States Code, Section 119, of any foreign application(s) for patent or inventor's certificate listed below and have also identified below any foreign application for patent or inventor's certificate having a filing date before that of the application on which priority is claimed:

<u>Prior Foreign Application(s)</u>			<u>Priority Claimed</u>	
<u>(Number)</u>	<u>(Country)</u>	<u>(Day/Month/Year Filed)</u>	<u>Yes</u>	<u>No</u>
<u>(Number)</u>	<u>(Country)</u>	<u>(Day/Month/Year Filed)</u>	<u>Yes</u>	<u>No</u>

We hereby claim the benefit under Title 35, United States Code, Section 120 of any United States application(s) listed below and, insofar as the subject matter of each of the claims of this application is not disclosed in the prior United States application in the manner provided by the first paragraph of Title 35, United States Code,

Section 112, I acknowledge the duty to disclose material information as defined in Title 37, Code of Federal Regulations, Section 1.56(a) which occurred between the filing date of the prior application and the national or PCT international filing date of this application:

(Application Serial No.)	(Filing Date)	(Status-patented, pending, abandoned)
(Application Serial No.)	(Filing Date)	(Status-patented, pending, abandoned)

We hereby appoint Joseph A. Sawyer, Jr., Reg. No. 30,801; Stephen G. Sullivan, Reg. No. 38,329; Janyce R. Mitchell, Reg. No. 40,095; Michele Liu, Reg. No.: 44,875; and Joyce Tom, Reg. No. P48,681 of **SAWYER LAW GROUP LLP, located at 2465 E. Bayshore Rd., Suite 406, Palo Alto, California 94303, telephone (650) 493-4540**, as my attorneys with full power of substitution and revocation, to prosecute this application and to transact all business in the Patent and Trademark Office connected therewith.

Address all telephone calls to **Joseph A. Sawyer, Jr.**, at telephone number **(650) 493-4540**, and all correspondence to:

**SAWYER LAW GROUP LLP  
P.O. Box 51418  
Palo Alto, California 94303**

We hereby declare that all statements made herein of my own knowledge are true and that all statements made on information and belief are believed to be true; and further that these statements were made with the knowledge that willful false statements and the like so made are punishable by fine or imprisonment, or both, under Section 1001 of Title 18 of the United States Code and that such willful false statements may jeopardize the validity of the application or any patent issued thereon.

Full Name of first/joint inventor: **Jenkin A. Richard, U.S. Citizen**

Residence Address: **1085 Arrow Head Drive  
Palo Alto, CA 94303**

Post Office Address: **SAME**

7/27/01  
Date

Jenkin A. Richard  
Signature

Jul 27 01 12:52p

Embassy Suites Napa

(707) 253-9202

p.1

07/27/2001 12:44

4082494554

GIGABIT OPTICS CORP

PAGE 03


Attorney Docket: 2200P  
Page 3 of 74

Full Name of second joint inventor: Eric V. Chamness, U.S. Citizen

Residence Address: 320 Linfield Drive  
Menlo Park, CA 94025

Post Office Address: SAME

7/27/01  
Date


  
Signature

Full Name of third joint inventor: David F. Moore, U.S. Citizen

Residence Address: 310 West Oakwood Blvd.  
Redwood City, CA 94061

Post Office Address: SAME

7/27/01  
Date

  
Signature

Full Name of fourth joint inventor: Ryan D. Bruneau, U.S. Citizen

Residence Address: 976 Wisteria Terrace  
Sunnyvale, CA 94086

Post Office Address: SAME

07/27/01  
Date

  
Signature

Full Name of fifth joint inventor: George H. Guan, People's Republic of China

Residence Address: 4805 Mallard Common  
Fremont, CA 94555

Post Office Address: SAME

7/27/01  
Date

  
Signature

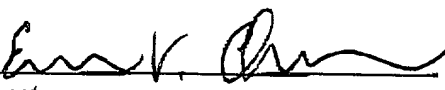
FOIA b 7 - 42997650

Full Name of **second**/joint inventor: **Eric V. Chamness, U.S. Citizen**

Residence Address: **320 Linfield Drive  
Menlo Park, CA 94025**

Post Office Address: **SAME**

7/27/01  
Date


  
Signature

Full Name of **third** joint inventor: **David F. Moore, U.S. Citizen**

Residence Address: **310 West Oakwood Blvd.  
Redwood City, CA 94061**

Post Office Address: **SAME**

7/27/01  
Date

  
Signature

Full Name of **fourth** joint inventor: **Ryan D. Bruneau, U.S. Citizen**

Residence Address: **976 Wisteria Terrace  
Sunnyvale, CA 94086**

Post Office Address: **SAME**

\_\_\_\_\_  
Date


\_\_\_\_\_  
Signature

Full Name of **fifth** joint inventor: **George H. Guan, People's Republic of China**

Residence Address: **4805 Mallard Common  
Fremont, CA 94555**

Post Office Address: **SAME**

7/27/01  
Date

  
Signature

Full Name of **sixth** joint inventor: **Steven J. Benerofe, U.S. Citizen**

Residence Address: **1531 Francisco Street  
San Francisco, CA 94123**

Post Office Address: **SAME**

7/27/01  
Date

  
Signature

Full Name of **seventh** joint inventor: **Nader<sup>es</sup> Mahvan, U.S. Citizen**

Residence Address: **10174 S. Foothill Blvd.  
Cupertino, CA 95014**

Post Office Address: **SAME**

7-27-01  
Date

  
Signature

Full Name of **eighth** joint inventor: **Don Andre Clark, U.S. Citizen**

Residence Address: **1309 Harmon Street  
Berkeley, CA 94702**

Post Office Address: **SAME**

07/27/2001  
Date

  
Signature